



measomfreer
packaging quality



Catalogue
2017-2018

Catalogue Index

Reference Pages	page no.
Bottle Ranges 2.5 – 75ml	2
Bottle Ranges 100 – 1000ml	3
Cap Ranges	4
Comprehensive Services	5
Bottle Ranges	
Martlet	6
Metric	7
Fosse & Yin Yang	8
Nature & Pageant	9
Bradgate	10
Charnwood, Quadra & Swithland	11
Europa	12
Dumpy	13
Classic	14
Griffin	15
Wyvern	16
Jubilee	17
Amenity Bottles	18
Tube Bottles	19
Snap-On Dropper Cap Bottles	20
Screw-On Dropper Cap Bottles	21
Nozzle Plug Bottles	22
Amber Metric	23
Platinum	24
PETG	25
Metric Polythene	26
Cylindrical & Rectangular	27
Product Tailoring Service	28
Bottle Caps & Closures	
Bottle Plugs	29
Screw Caps	30
Fine Ribbed, Tall & Ball Caps	31
Spouted Caps & Luer Caps	32
Dropper Caps/Nozzle Caps & Nozzle Plugs	33
Flip Caps & Disc Caps	34
Spray, Gel, Lotion Pumps & Trigger Spray	35
General Packaging	
Scoops & Measures	36
Boxes & Soap Boxes	37
Jars & Jar Caps	38
Rigid Tubes	39
Spatula Applicators & Spoons	40
Fasteners	41
Services	
Printing Services	42
Custom Moulding	43
Environmental Policy	44



Stock items are sold in box quantities; see product pages for full details.
 For 'made to order' items please contact our sales team.
 Measom Freer & Co Ltd do not recommend that any of their stock products are used for pharmaceutical use; we can however order specific pharmaceutical grade material for specific use if required.
 Company policy of continual product improvement may result in technical, dimensional and other specifications being subject to change without notice. It is strongly recommended that users should establish for themselves the suitability of any product for their application. Freedom under patents, copyright and registered designs cannot be assumed.

Bottle Ranges 2.5 - 75ml



 Manufactured from recyclable plastics.



All available from stock;
please call our sales department.

Tel: +44 (0) 116 288 1588

Fax: +44 (0) 116 281 3000

Email: sales@measomfreer.co.uk

Web: www.measomfreer.co.uk

37-41 Chartwell Drive, Wigston,
Leicestershire
LE18 2FL England

Details

SIZE	CAT. NO.	BOTTLE RANGE	MATERIAL	NECK SIZE	PAGE No's
2.5ml	6103V / 6103PE	Metric/Jubilee	PVC / HDPE	15mm R4	7/17
5ml	6105V / 6105PE	Metric/Jubilee	PVC / HDPE	15mm R4	7/17
10ml	6128V / 6128PE	Metric/Jubilee	PVC / HDPE	15mm R4	7/17
	6100V / 6100PE	Metric/Jubilee	PVC / HDPE	15mm R4	7/17
15ml	6100A	Metric Dropper	PVC	Snap-On Dropper	20
	6210V / 6210PE	Tube	PVC / MDPE	18mm R4	19
	6500	Griffin	PVC	15mm R4	15
20ml	6166	Rectangular	HDPE	15mm R4	27
	6018V	Tube/Cylindrical	PVC	18mm R4	19/27
25ml	6070	Metric	PVC	15mm R4	7
	6370	Europa	"	"	12
	6570	Griffin	"	15mm R4	15
	6470	Wyvern	"	"	16
	6070PET	PETG Metric	PETG	"	25
	6070PE	Poly	HDPE	"	26
	6070A	Metric Dropper	PVC	Snap-On Dropper	20
	6170	Classic	"	15mm R4	14
	6670	Martlet	MDPE	18mm R4	6
	6130	Jubilee	HDPE	15mm R4	17
30ml	6250	Regency	PVC	"	18
	6070W	Platinum	White PVC	"	24
	6101	Metric	PVC	18mm R4	7
	6101PET	PETG	PETG	18mm R4	25
	6101A	Metric Dropper	PVC	Snap-On Dropper	20
	6114	Dumpy	"	18mm R4	13/18
	6301	Europa	"	"	12
	6901	Bradgate	"	"	10
	6251	Regency	"	"	18
	6158	Crown	"	"	18
50ml	6185	Topaz	HDPE	"	18
	6156	Opal	PVC	15mm R4	18
	6024	Cylindrical	MDPE	18mm R4	27
	6021	Dropper	White MDPE	Snap-On Dropper	20
	6211V / 6211PE	Tube	PVC / MDPE	20mm R4	19
	6228	Quadra	PVC	18mm R4	11
	6071	Metric	PVC	"	7
	6071PET	PETG	PETG	"	25
	6571	Griffin	PVC	"	15
	6471	Wyvern	"	"	16
60ml	6071A	Metric Dropper	"	Snap-On Dropper	20
	6171	Classic	"	18mm R4	14
	6371	Europa	"	"	12
	6157	Crown	"	"	18
	6971	Bradgate	"	20mm R4	10
	6671	Martlet	MDPE	"	6
	6131	Jubilee	HDPE	18mm R4	17
	6071W	Platinum	White PVC	"	24
	6163	Swithland	Clear PETG	15mm R4	11
	6212V/6212PE	Tube	PVC/MDPE	24mm R4	19
75ml	6060	Metric	Clear PVC	18mm R4	7
	6212V/6212PE	Tube	PVC/HDPE	24mm R4	19
	6030	Cylindrical	HDPE	18mm R4	27
	6216	Dumpy	PVC	"	13/18
	6035	Dropper	White LDPE	Snap-On Dropper	20
	6072	Metric	PVC	18mm R4	7
	6072PET	PETG	Clear PETG	"	25
	6372	Europa	"	"	12
	6132	Jubilee	HDPE	"	17
	6572	Griffin	PVC	"	15
75ml	6572	Griffin	PVC	"	15
	6164	Swithland	Clear PETG	"	11

Bottle Ranges 100 - 1000ml



 Manufactured from recyclable plastics.



All available from stock;
please call our sales department.

Tel: +44 (0) 116 288 1588

Fax: +44 (0) 116 281 3000

Email: sales@measomfreer.co.uk

Web: www.measomfreer.co.uk

37-41 Chartwell Drive, Wigston,
Leicestershire
LE18 2FL England



Details

SIZE	CAT. NO.	BOTTLE RANGE	MATERIAL	NECK SIZE	PAGE No's	
100ml	6184	Charnwood	PETG	18mm R4	11	
	6073	Metric	PVC	"	7	
	6073PET	PETG	PETG	"	25	
	6073A	Metric Dropper	PVC	Snap-On Dropper	20	
	6573	Griffin	"	18mm R4	15	
	6473	Wyvern	"	"	16	
	6173	Classic	"	"	14	
	6373	Europa	"	"	12	
	6973	Bradgate	PVC	20mm R4	10	
	6673	Martlet	MDPE	"	6	
	6159	Pageant	Clear PVC	"	9	
	6160	Nature	"	18mm R4	9	
	6133	Jubilee	HDPE	"	17	
	6120	Cylindrical	"	24mm R4	27	
	6073W	Platinum	White PVC	18mm R4	24	
6120PE	Cylindrical/Tube Bottle	Natural MDPE	22-400/40mm	19		
120ml	6039	Cylindrical	HDPE	22mm R4	27	
	6188	Fosse	MDPE	22-400	8	
125ml	6077	Metric	PVC	20mm R4	7	
	6077PET	PETG	PETG	20mm R4	25	
	6056	Cylindrical	"	22mm R4	27	
	6052	Rectangular	HDPE	20mm R4	27	
	6213	Cylindrical/Tube Bottle	PVC/MDPE	22-400/24mmR4	19	
150ml	6229	Quadra	PVC	24mm R4	11	
	6074PET	PETG	PETG	20mm R4	25	
	6074	Metric	PVC	20mm R4	7	
	6574	Griffin	"	"	15	
	6474	Wyvern	"	"	16	
	6074PE	Poly	HDPE	"	26	
	6174	Classic	PVC	"	14	
	6374	Europa	"	"	12	
	6974	Bradgate	"	24mm R4	10	
	6674	Martlet	MDPE	"	6	
	6218	Dumpy	PVC	"	13	
	6134	Jubilee	HDPE	20mm R4	17	
	6074W	Platinum	White PVC	"	24	
	200ml	6075	Metric	PVC	20mm R4	7
		6075PET	PETG	PETG	20mm R4	25
6475		Wyvern	PVC	"	16	
6175		Classic	"	"	14	
6375		Europa	"	"	12	
6135		Jubilee	HDPE	"	17	
6162		Nature	PVC	"	9	
6165		Swithland	Clear PETG	20mm R4	11	
6189		Fosse	HDPE	22-400	8	
6187		Yin Yang	Natural HDPE	28mm R4	8	
6076		Metric	PVC	22mm R4	7	
6076PET		PETG	PETG	"	25	
6576		Griffin	PVC	"	15	
6476		Wyvern	"	"	16	
250ml		6076PE	Poly	HDPE	"	26
	6176	Classic	PVC	"	14	
	6376	Europa	"	"	12	
	6076W	Platinum	White PVC	"	24	
	6976	Bradgate	"	24mm R4	10	
	6676	Martlet	MDPE	"	6	
	6214	Cylindrical/Tube Bottle	PVC/MDPE	22-400/24mmR4	19	
	300ml	6167	Charnwood	PETG	24mm R4	11
		6183	Dumpy	PVC	28mm R4	13
	350ml	6078	Metric	PVC	24mm R4	7
6138		Jubilee	HDPE	"	17	
500ml	6232	Quadra	PVC	"	11	
	6079	Metric	"	24mm R4	7	
	6079PET	PETG	PETG	24mm R4	25	
	6379	Europa	"	"	12	
600ml	6679	Martlet	MDPE	"	6	
	6023	Rectangular	HDPE	31mm R6	27	
750ml	6081	Metric	PVC	28mm R4	7	
	6681	Martlet	MDPE	"	6	
1000ml	6193	Rectangular	HDPE	31mm R6	27	
	6083	Metric	PVC	28mm R4	7	

Cap Ranges from stock



 Manufactured from recyclable plastics.



All available from stock;
please call our sales department.

Tel: +44 (0) 116 288 1588

Fax: +44 (0) 116 281 3000

Email: sales@measomfreer.co.uk

Web: www.measomfreer.co.uk

37-41 Chartwell Drive, Wigston,
Leicestershire
LE18 2FL England



Details

SIZE	CAT. NO.	CAP RANGE	SEAL TYPE	MATERIAL	NECK SIZE	PAGE No.'s	
15mm	4515	Bottle Plug	-	LDPE	15mm R4	29	
	5315R	Ribbed Cap	Skirtseal	PP	"	30	
	5315S	Smooth Cap	"	"	"	30	
	5415R	Ribbed Cap	Plugseal	"	"	30	
	5415S	Smooth Cap	"	"	"	30	
	5715	Tall Cap	Skirtseal	"	"	31	
	5715P	"	Plugseal	"	"	31	
	5215	Ball Cap	Skirtseal	"	"	31	
	4715	Spouted Cap	"	"	"	32	
	4021	Dropper Cap	Skirtseal	LDPE	15mm Snap On	33	
	4315	Dropper Cap	"	"	15mm R4	33	
	3115	Nozzle Plug	-	LDPE	"	33	
	3116	Nozzle Cap	Plugseal	PP	"	33	
	5815	Flip Cap	Skirtseal	"	"	34	
	49315	Spray Pump	Wadded	"	"	35	
	18mm	4518	Bottle Plug	-	LDPE	18mm R4	29
		4591B	"	-	"	"	29
		4591C	"	-	"	"	29
5318R		Ribbed Cap	Skirtseal	PP	"	30	
5318S		Smooth Cap	"	"	"	30	
5418R		Ribbed Cap	Plugseal	"	"	30	
5418S		Smooth Cap	"	"	"	30	
5518		Fine Ribbed Cap	Wadded	Urea	"	31	
5618		Tall Cap	"	"	"	31	
5718		"	Skirtseal	PP	"	31	
5718P		"	Plugseal	"	"	31	
5218		Ball Cap	Skirtseal	"	"	31	
4612		Spouted Cap	"	"	"	32	
4218		Luer Cap	"	"	"	32	
3118		Nozzle Plug	-	LDPE	"	33	
3119		Nozzle Cap	Plugseal	PP	"	33	
5818		Smooth Flip Cap	Skirtseal	"	"	34	
5918		Ribbed Flip Cap	"	"	"	34	
49318	Spray Pump	Wadded	"	"	35		
49518	Gel Pump	"	"	"	35		
20mm	4520	Bottle Plug	-	LDPE	20mm R4	29	
	4592	"	-	"	"	29	
	4573	"	-	"	"	29	
	5320R	Ribbed Cap	Skirtseal	PP	"	30	
	5320S	Smooth Cap	"	"	"	30	
	5420R	Ribbed Cap	Plugseal	"	"	30	
	5420S	Smooth Cap	"	"	"	30	
	5620	Tall Cap	Wadded	"	"	31	
	5720	"	Skirtseal	"	"	31	
	5720P	"	Plugseal	"	"	31	
	4629	Spouted Cap	Skirtseal	"	"	32	
	3120	Nozzle Plug	-	LDPE	"	33	
	3121	Nozzle Cap	Plugseal	PP	"	33	
	5820	Smooth Flip Cap	Skirtseal	"	"	34	
	5020	Disc Cap	Skirtseal	"	"	34	
	49320	Spray Pump	Wadded	"	"	35	
	49520	Gel Pump	"	"	"	35	
	22mm	4422	Bottle Plug	-	LDPE	22mm R4	29
5322R		Ribbed Cap	Skirtseal	PP	"	30	
5322S		Smooth Cap	"	"	"	30	
5422R		Ribbed Cap	Plugseal	"	"	30	
5422S		Smooth Cap	"	"	"	30	
5522		Fine Ribbed Cap	Wadded	Urea	"	31	
5622		Tall Cap	"	PP	"	31	
5922		Ribbed Flip Cap	Skirtseal	"	"	34	
49322		Spray Pump	Wadded	PP	"	35	
49522		Gel Pump	"	"	"	35	
49140		Fosse Tube Cap	Skirtseal	"	22-400/40	8	
49150		"	"	"	22-400/50	8	
24mm		4524	Bottle Plug	-	LDPE	24mm R4	29
		5324R	Ribbed Cap	Skirtseal	PP	"	30
		5324S	Smooth Cap	"	"	"	30
		5424R	Ribbed Cap	Plugseal	"	"	30
		5424S	Smooth Cap	"	"	"	30
		5524	Fine Ribbed Cap	Wadded	Urea	"	31
	5624	Tall Cap	"	"	"	31	
	5524	Fine Ribbed Cap	"	"	"	31	
	5824	Smooth Flip Cap	Skirtseal	PP	"	34	
	5024	Disc Cap	"	"	"	34	
	49324	Spray Pump	Wadded	"	"	35	
	49524	Gel Pump	"	"	"	35	
	52124	Lotion Pump	"	"	"	35	
	53124	Trigger Spray	"	"	"	35	
	28mm	5328R	Fine Ribbed Cap	"	"	28mm R4	31
		5828	Smooth Flip Cap	Skirtseal	"	"	34
		5028	Disc Cap	"	"	"	34
		52128	Lotion Pump	Wadded	"	"	35
31mm	4571	Fine Ribbed Cap	"	"	31mm R6	31	
	52131	Lotion Pump	"	"	"	35	



Comprehensive Services



Component Design:

Our design department is equipped with the latest CAD/CAM facilities for component design, 3D modelling and visualisation through to full tool design and manufacture.



Toolmaking:

We have our own in-house toolroom which has continual investment in cutting edge CNC technology which complements our CAD/CAM design facility. We specialise on the production of quality injection & blow moulding tools.



Blow Moulding:

In most thermoplastics including PVC, HDPE, MDPE, LDPE, PETG, PP etc. up to 1 litre capacity.

Injection Moulding:

Most thermoplastic materials are processed up to a shot weight of approximately 350 grammes.

Custom Moulding:

Bottles and injection mouldings can be made to customers' own requirements using our in-house CAD/CAM design & CNC toolmaking facilities. Strict confidentiality at all stages.



Production

24 hours a day production to achieve maximum output at economic prices.

Screen Printing:

A printing service is available for the decoration of bottles and other mouldings.

Quality Assurance:

Our procedures are certified to BS EN ISO 9001: 2008 (Certificate No. FM 13440).
BS8555 Certified Environmental Management System No: ACORN-NQA-0367.



Samples:

A prompt sampling service is available and it is strongly recommended that users establish for themselves the suitability of any product for their application.

Experience:

Established in 1937 we have over 80 years' experience in the plastics industry and continue to offer a prompt personal service.

 Manufactured from recyclable plastics.

From Stock



Martlet Range Bottles

- Natural Medium Density Polyethylene available from stock. HDPE, LDPE, white, black and colours available to order.
- Ribbed, smooth, tall, nozzle, spouted and ball caps available in white and black; colours to order.
- Cap and dispenser details on pages 29-35.



750ml

500ml

250ml

150ml

100ml

50ml

25ml

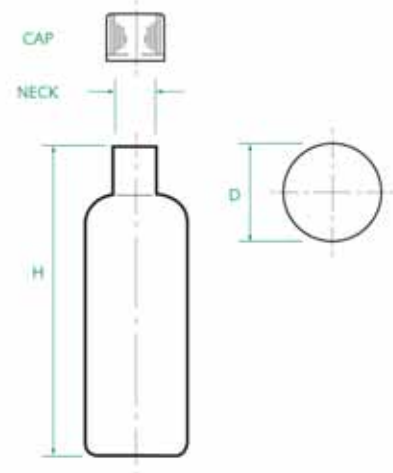
Details

Martlet						
Catalogue Number	Capacity	D Diameter	H Height	Neck Size	Material	Box QTY
6670	25ml	26	80	18mm R4	Natural MDPE	900
6671	50ml	32	99	20mm R4	"	450
6673	100ml	39	117	"	"	250
6674	150ml	45	137	24mm R4	"	170
*6675	*200ml	50	149	"	"	-
6676	250ml	53	157	"	"	112
6679	500ml	66.5	190	"	"	156
6681	750ml	76	214	28mm R4	"	tbc

Dimensions in mm

* = Proposed Size

Technical





Metric Range Bottles

- Clear PVC available from stock. Amber, white, black and colours available to order.
- PET available to order.
- Ribbed, smooth, tall, nozzle, spouted and ball caps available in white and black; colours to order.
- Cap and dispenser details on pages 29-35.
- 1000ml Metric also available with a 31mm R4 neck, made to order.

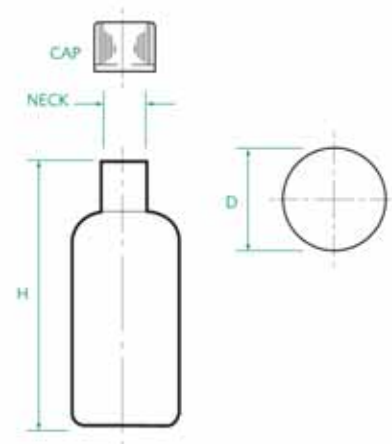


Details

Metric						
Catalogue Number	Capacity	D Diameter	H Height	Neck Size	Material	Box QTY
6103V	2.5ml	20	29	15mm R4	Clear PVC	2500
6105V	5ml	20	40	"	"	1600
6128V	10ml	20	54	"	"	1100
6100V	15ml	23	60	"	"	1600
6070	25ml	27	69	"	"	1000
6101	30ml	29	75	18mm R4	"	800
6071	50ml	34	84	"	"	500
6060	60ml	36	87	"	"	450
6072	75ml	39	94	"	"	350
6073	100ml	44	102	"	"	250
6077	125ml	45.5	109.5	20mm R4	"	200
6074	150ml	49	117	"	"	180
6075	200ml	54	127	"	"	130
6076	250ml	57	136	22mm R4	"	122
6078	350ml	63.5	151.5	24mm R4	"	100
6079	500ml	72	169	"	"	150
6081	750ml	82	191	28mm R4	"	92
6083	1000ml	86	222.5	"	"	86

Dimensions in mm

Technical





Fosse & Yin Yang Bottle Ranges

Fosse

Yin Yang



250ml

125ml



250ml



Ø50

Ø40

- Fosse bottle: Natural Medium Density Polyethylene available from stock. PCR, HDPE, LDPE, PP, white, black and colours available to order. Can be used as a Tottle with plain white Polypropylene flip caps on this page. Designed to be used upright and upside down, standing on the cap so thicker products are at the cap ready for use.
- Yin Yang: Unique shape which fits itself perfectly to form a 'yin yang' for multi pack sales. Stocked in HDPE with colours and other materials to order.
- Cap and dispenser details on pages 29-35.

Details

Fosse

Catalogue Number	Capacity	W Width	D Depth	H Height	Neck Size	Cap Diameter	Material	Box QTY
6188	125ml	51	40	107	22-400	40	Natural MDPE	200
6189	250ml	64	50	134	"	50	"	120

Fosse Tube Cap

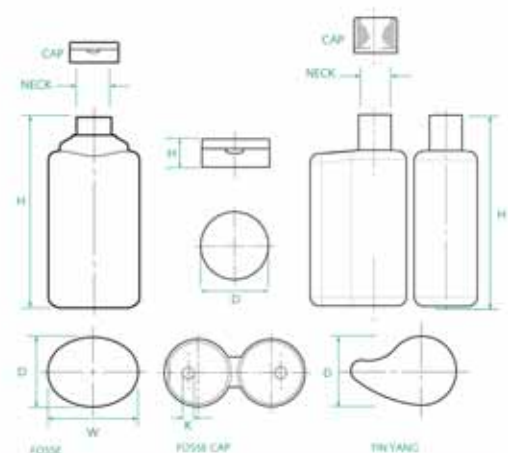
Catalogue Number	D Diameter	H Height	K Orifice Diameter	Neck Size	Material	Box Qty
49140	40	25	4.8	22-400	Polypropylene	1200
49150	50	25	6.4	"	"	700

Yin Yang

Catalogue Number	Capacity	W Width	D Depth	H Height	Neck Size	Material	Box QTY
6187	250ml	74	48.5	147	28mm R4	HDPE	288

Dimensions in mm

Technical





Nature & Pageant Bottle Ranges

- Nature and Pageant bottles available from stock in clear PVC. Amber, white, black, other colours and PET available to order.
- Cap and dispenser details on pages 29-35.

Nature

Pageant



100ml

200ml

100ml

Details

Nature

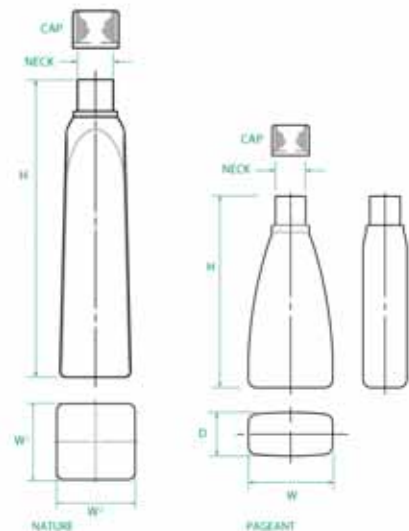
Catalogue Number	Capacity	H Height	W ¹ x W ² Width	Neck Size	Material	Box QTY
6160	100ml	145	34.5x34.5	18mm R4	Clear PVC	250
6162	200ml	179	43x43	20mm R4	"	130

Pageant

Catalogue Number	Capacity	W Width	D Depth	H Height	Neck Size	Material	Box QTY
6159	100ml	54	28	123	20mm R4	Clear PVC	250

Dimensions in mm

Technical





Bradgate Range Bottles

- Clear PVC radius-edged square bottles, available from stock. Amber, white, black and colours available to order.
- PET available to order.
- Ribbed, smooth, tall, nozzle, spouted and ball caps available in white and black; colours to order.
- Cap and dispenser details on pages 29-35.



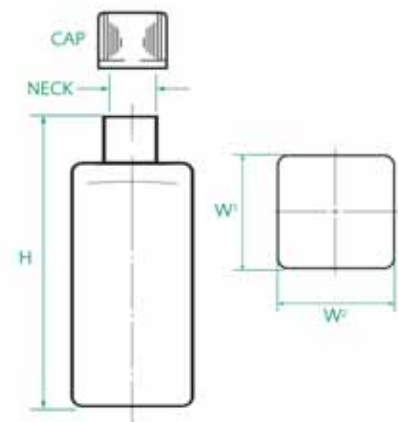
250ml 150ml 100ml 50ml 30ml

Details

Bradgate						
Catalogue Number	Capacity	W1 X W2 Width	H Height	Neck Size	Material	Box QTY
6901	30ml	27x27	69.5	18mm R4	Clear PVC	800
6971	50ml	32 X 32	83	20mm R4	"	500
6973	100ml	39.5 X 39.5	98	"	"	250
6974	150ml	45 X 45	114	24mm R4	"	180
6976	250ml	52.7 X 52.7	129	"	"	120

Dimensions in mm

Technical





Charnwood, Swithland & Quadra Bottle Ranges

Charnwood

Swithland

Quadra



- Quadra Bottles are available in clear PVC from stock. Amber, white, black and colours available to order with PET available to order.
- Charnwood and Swithland bottles are available in clear PET with colours available to order.
- Ribbed, smooth, tall, nozzle, spouted and ball caps available in white and black; colours to order.
- Cap and dispenser details on pages 29-35.

Details

Charnwood

Catalogue Number	Capacity	W Width	D Depth	H Height	Neck Size	Material	Box QTY
6184	100ml	54.5	30	105.5	18mmR4	PETG	250
6167	300ml	79	43.5	152.5	24mmR4	"	112

Swithland

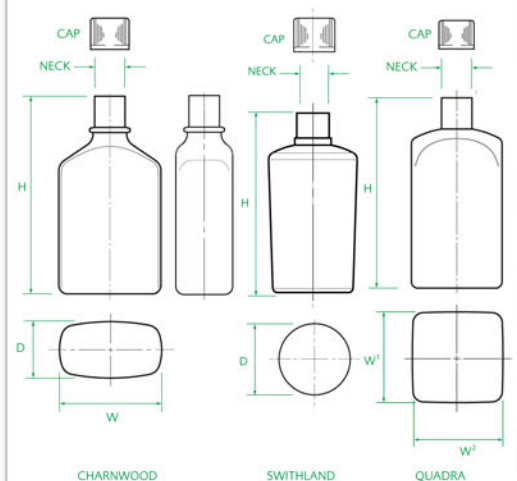
Catalogue Number	Capacity	D Diameter	H Height	Neck Size	Material	Box QTY
6163	50ml	37	76	15mmR4	PETG	500
6164	75ml	43	86	18mmR4	"	350
6165	200ml	58	115	20mmR4	"	148

Quadra

Catalogue Number	Capacity	W ¹ x W ² Width	H Height	Neck Size	Material	Box QTY
6228	50ml	42x42	73.5	18mmR4	PVC	500
6229	150ml	46.5x46.5	105.5	24mmR4	"	180
6232	500ml	70x70	147	"	"	75

Dimensions in mm

Technical





Europa Range Bottles

- Clear PVC available from stock. Amber, white, black and colours available to order.
- PET available to order.
- Ribbed, smooth, tall, nozzle, spouted and ball caps available in white and black; colours to order.
- Cap and dispenser details on pages 29-35.



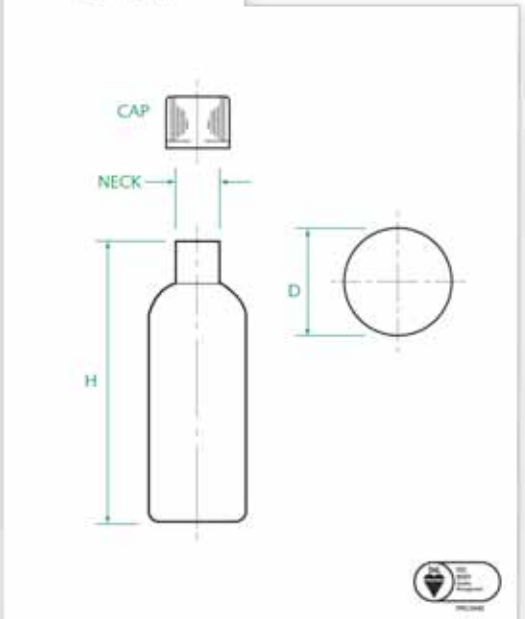
500ml 250ml 200ml 150ml 100ml 75ml 50ml 30ml 25ml

Details

Europa						
Catalogue Number	Capacity	D Diameter	H Height	Neck Size	Material	Box QTY
6370	25ml	25	79	15mm R4	Clear PVC	1000
6301	30ml	27	86	18mm R4	"	750
6371	50ml	32	96	"	"	500
6372	75ml	36	108	"	"	350
6373	100ml	40	115	"	"	250
6374	150ml	46	134	20mm R4	"	196
6375	200ml	49	147	"	"	130
6376	250ml	53	158	22mm R4	"	112
6379	500ml	66	195	24mm R4	"	156

Dimensions in mm

Technical





Dumpy Range Bottles

- Clear PVC squat round bottles available from stock. Amber, white, black and colours available to order.
- PET available to order.
- Ribbed, smooth, tall, spouted, ball caps and dispensing caps available in white and black; colours to order.
- Cap and dispenser details on page 29-35.



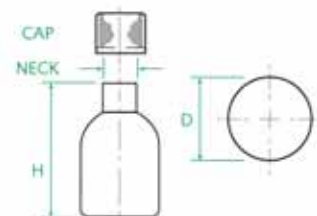
300ml 150ml 100ml 60ml 30ml

Details

Europe						
Catalogue Number	Capacity	D Diameter	H Height	Neck Size	Material	Box QTY
6114	30ml	34	60	18mm R4	Clear PVC	850
6216	60ml	42	71	"	"	450
6217	100ml	50.5	85	20mmR4	"	250
6218	150ml	57	99	24mm R4	"	180
6183	300ml	77	110	28mm R4	"	225

Dimensions in mm

Technical





Classic Range Bottles

- Clear PVC available from stock. Amber, white, black and colours available to order.
- PET available to order.
- Ribbed, smooth, tall, nozzle, spouted and ball caps available in white and black; colours to order.
- Cap and dispenser details on pages 29-35.



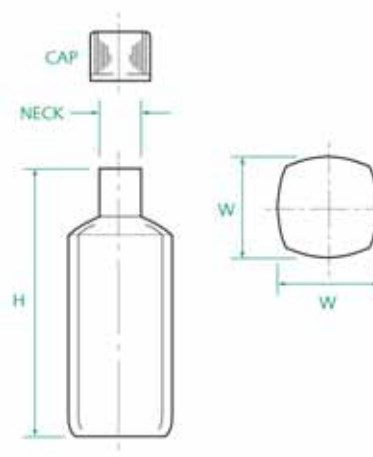
250ml 200ml 150ml 100ml 50ml 25ml

Details

Classic						
Catalogue Number	Capacity	WxW Width	H Height	Neck Size	Material	Box QTY
6170	25ml	26 X 26	70	15mm R4	Clear PVC	1000
6171	50ml	32 X 32	85	18mm R4	*	500
6173	100ml	41 X 41	103	*	*	250
6174	150ml	46 X 46	118	20mm R4	*	205
6175	200ml	51 X 51	129	*	*	154
6176	250ml	55 X 55	139	22mm R4	*	120

Dimensions in mm

Technical





Griffin Range Bottles

- Clear PVC available from stock. Amber, white, black and colours available to order.
- PET available to order.
- Ribbed, smooth, tall, nozzle, spouted and ball caps available in white and black; colours to order.
- Cap and dispenser details on pages 29-35.



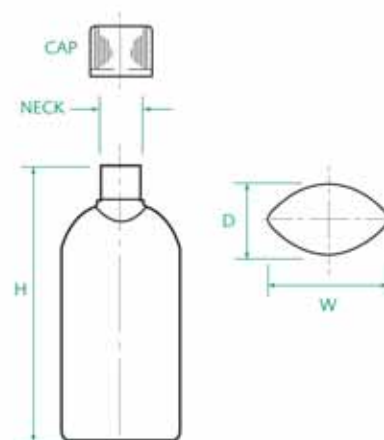
250ml 150ml 100ml 75ml 50ml 25ml 15ml

Details

Griffin							
Catalogue Number	Capacity	W Width	D Depth	H Height	Neck Size	Material	Box QTY
6500	15ml	30	18	72	15mm R4	Clear PVC	1400
6570	25ml	34	20.5	82.5	"	"	1000
6571	50ml	43	26	102	18mm R4	"	450
6572	75ml	48	29	112	"	"	350
6573	100ml	53.5	32	123	"	"	250
6574	150ml	60.5	36	140	20mm R4	"	180
6576	250ml	70.5	42	163	22mm R4	"	104

Dimensions in mm

Technical





Wyvern Range Bottles

- Clear PVC available from stock. Amber, white, black and colours available to order.
- PET available to order.
- Ribbed, smooth, tall, nozzle, spouted and ball caps available in white and black; colours to order.
- Cap and dispenser details on pages 29-35.



250ml

200ml

150ml

100ml

50ml

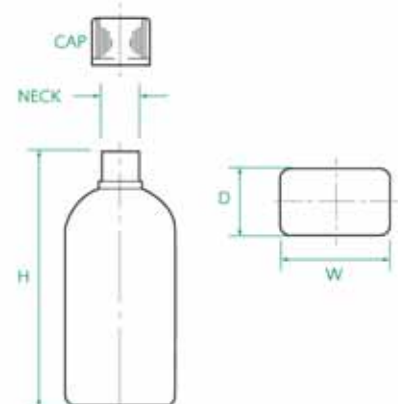
25ml

Details

Wyvern							
Catalogue Number	Capacity	W Width	D Depth	H Height	Neck Size	Material	Box QTY
6470	25ml	31	18.5	76	15mm R4	Clear PVC	900
6471	50ml	39	23.5	93	18mm R4	"	500
6473	100ml	48	29	111	"	"	250
6474	150ml	54	32.5	127	20mm R4	"	180
6475	200ml	59.5	36	138	"	"	180
6476	250ml	63.5	38	148	22mm R4	"	137

Dimensions in mm

Technical





Jubilee Range Bottles

- Natural High Density Polyethylene available from stock. White, black and colours available to order.
- Ribbed, smooth, tall, nozzle, spouted and ball caps available in white and black; colours to order.
- Cap and dispenser details on pages 29-35.

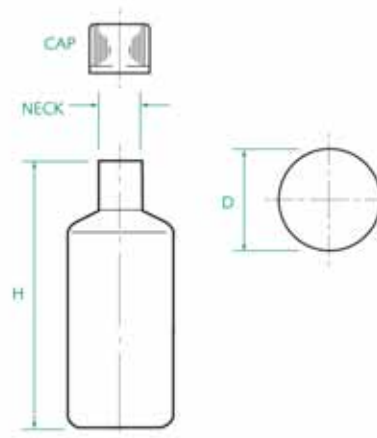


Details

Jubilee						
Catalogue Number	Capacity	D Diameter	H Height	Neck Size	Material	Box QTY
6103PE	2.5ml	20	29	15mm R4	Natural HDPE	2500
6105PE	5ml	20	40	"	"	1600
6128PE	10ml	20	53	"	"	2250
6100PE	15ml	23	59	"	"	1600
6130	25ml	27	68	"	"	1000
6131	50ml	33	84	18mm R4	"	550
6132	75ml	38	94	"	"	350
6133	100ml	42	103	"	"	250
6134	150ml	48	119	20mm R4	"	180
6135	200ml	53	129	"	"	144
6076PE	250ml	57	136	22mm R4	"	122
6138	350ml	64	158	24mm R4	"	220

Dimensions in mm

Technical





Amenity Range Bottles

- Clear PVC available from stock. PETG, amber, white, black and colours available to order.
- Topaz bottle available from stock in natural HDPE; colours to order.
- Ribbed, smooth, tall, nozzle, spouted and ball caps available in black and white with colours to order.
- Spray and gel pumps for 18mm necks also available to order. See page 35.
- Cap and dispenser details on pages 29-35.

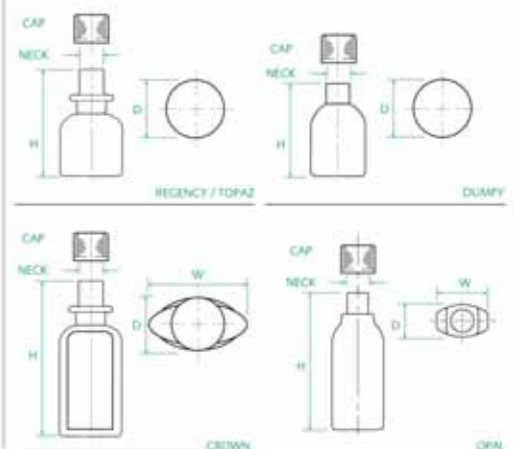


Details

Amenity Range									
Catalogue Number	Range	Capacity	D Diameter	H Height	W Width	D Depth	Neck Size	Material	Box QTY
6250	Regency	25ml	33	60	-	-	15mm R4	Clear PVC	900
6251	*	30ml	36	64	-	-	18mm R4	"	750
6185	Topaz	30ml	35	69	-	-	18mm R4	HDPE	750
*6114	Dumpy	30ml	34	60	-	-	18mm R4	Clear PVC	850
*6216	*	60ml	42	71	-	-	"	"	450
6158	Crown	30ml	-	75.5	38.5	26.5	18mm R4	Clear PVC	750
6157	*	50ml	-	93.5	44	26.5	"	"	500
6156	Opal	30ml	-	86	32	20	15mm R4	Clear PVC	900

* See page 13 for full Dumpy bottle range.

Technical





250ml 125ml 100ml MDPE 50ml 30ml 15ml 10ml 5ml HDPE 2.5ml



250ml 125ml 50ml 30ml Clear PVC 21ml 15ml 10ml 5ml 2.5ml

Details

Tube Range						
Catalogue Number	Capacity	D Diameter	H Height	Neck Size	Material	Box QTY
6103V	2.5ml	20	29	15mm R4	Clear PVC	2500
6103PE	2.5ml	20	29	"	Natural HDPE	2500
6105V	5ml	20	40	"	Clear PVC	1600
6105PE	5ml	20	40	"	Natural HDPE	1600
6128V	10ml	20	54	"	Clear PVC	1100
6128PE	10ml	20	53	"	Natural HDPE	2250
6210V	15ml	22	71	18mm R4	Clear PVC	1400
6210PE	15ml	22	70	"	Natural MDPE	1400
6018V	20ml	21	94.5	"	Clear PVC	1100
6211V	30ml	24	104	20mm R4	"	700
6211PE	30ml	24	103	"	Natural MDPE	700
6212V	50ml	28.5	124	24mm R4	Clear PVC	400
6212PE	50ml	28	122	"	Natural MDPE	400
6120PE	100ml	39	117	22-400/40	"	250
6213V	125ml	38.5	140	"	Clear PVC	200
6213PE	125ml	38	138	"	Natural MDPE	200
6214V	250ml	48	179	22-400/50	Clear PVC	100
6214PE	250ml	47	176	"	Natural MDPE	100

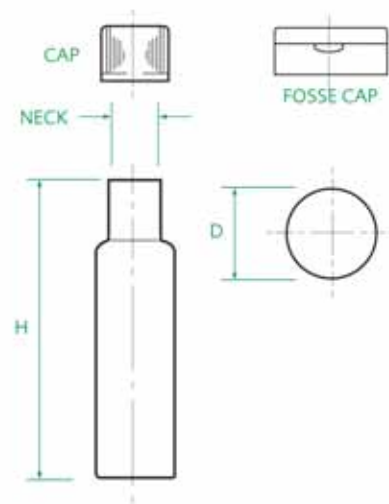
* Fosse caps PB.

Dimensions in mm

Tube Range

- PVC: Clear available from stock. Amber, white, black, transparent green and colours available to order.
- HDPE/MDPE Natural available from stock; white and black available to order.
- PET available to order.
- Ribbed, smooth, tall, nozzle, spouted and ball caps available in white and black; colours to order.
- Cap and dispenser details on pages 29-35.
- 6120PE, 6213 & 6214 fits our Fosse Cap on page 8.

Technical





Snap-on Dropper Cap Bottles

- A range of dropper cap bottles with captive closure, for single drop dispensing of liquids.
- PVC bottles: Clear available from stock. Amber, white, black, colours and PET available to order.
- MDPE bottles: White available from stock, colours available to order.
- Dropper cap (catalogue number 4021) included with bottle, available in white with black and colours to order. Details on page 33.
- Typical applications include inks, adhesives, lubricants, chemicals, pharmaceuticals, toiletries, solvents, glass cleaning, veterinary products, hair preparations etc.



100ml 60ml 50ml 30ml 30ml 25ml 15ml

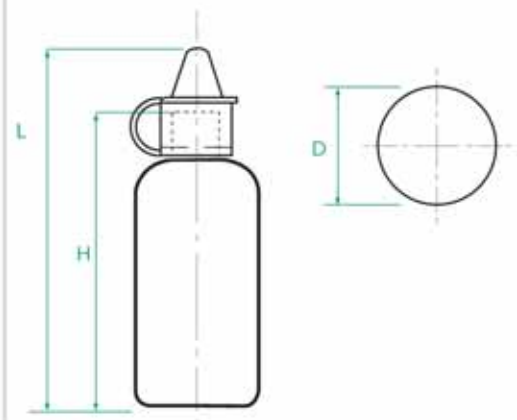
Details

Snap-on Dropper Cap Bottles

Catalogue Number	Capacity	D Diameter	H Height	L Length With Cap	Material	Box QTY
6100A	15ml	23	60	74	Clear PVC	1600
6070A	25ml	27	69	83	*	1000
6101A	30ml	29	75	89	*	800
6021	30ml	31	72	86	White MDPE	750
6071A	50ml	34	84	98	Clear PVC	500
6035	60ml	38	80	95	White MDPE	450
6073A	100ml	44	102	116	Clear PVC	250

Dimensions in mm

Technical





Screw-on Dropper Cap Bottles



Swithland 50ml, Opal 30ml, Jubilee 25ml, Regency 25ml, Wyvern 25ml, Griffin 25ml, Europa 25ml, Classic 25ml, Metric 25ml, Rectangular 20ml

Screw-on Dropper Cap Bottles						
Catalogue Number	Capacity	D Diameter	H Height	Bottle Range	Material	Box QTY
6103V	2.5ml	20	29	Metric	Clear PVC	2500
6103PE	2.5ml	20	29	Jubilee	Natural HDPE	2500
6105V	5ml	20	40	Metric	Clear PVC	1600
6105PE	5ml	20	40	Jubilee	Natural HDPE	1600
6128V	10ml	20	54	Metric	Clear PVC	1100
6128PE	10ml	20	53	Jubilee	Natural HDPE	2250
6100V	15ml	23	60	Metric	Clear PVC	1600
6100PE	15ml	23	59	Jubilee	Natural HDPE	1600
6500	15ml	30 x 18	72	Griffin	Clear PVC	1400
6166	20ml	34 x 21	56	Rectangular	White HDPE	1200
6070	25ml	27	69	Metric	Clear PVC	1000
6370	25ml	25	79	Europa	"	1000
6170	25ml	26 X 26	70	Classic	"	1000
6570	25ml	34 X 20.5	82.5	Griffin	"	1000
6470	25ml	31 x 18.5	76	Wyvern	"	900
6250	25ml	33	60	Regency	"	900
6130	25ml	27	68	Jubilee	Natural HDPE	1000
6156	30ml	32x20	86	Opal	Clear PVC	900
6163	50ml	37	76	Swithland	"	500

Dimensions in mm

- A range of dropper cap bottles with captive closure, for single drop dispensing of liquids.
- PVC bottles: Clear available from stock. Amber, white, black, colours and PET available to order.
- HDPE bottles: Natural available from stock; colours available to order.
- Dropper cap (catalogue number 4315) available in white with black and colours to order. Details on page 33.
- Typical applications include inks, adhesives, lubricants, chemicals, pharmaceuticals, toiletries, veterinary products, hair preparations etc.





Nozzle Plug Bottles

- Stock range bottles suitable for use with Nozzle Plugs and Caps, for single drop dispensing of liquids.
- Nozzle Plugs available in natural LDPE, colours available to order. Nozzle Caps available in white Polypropylene with black and colours to order. (see page 33).
- Typical applications include inks, adhesives, lubricants, chemicals, pharmaceuticals, toiletries, veterinary products, hair preparations etc.



Opal Metric Bradgate Europa Classic Quadra Swithland Griffin Wyvern Martlet Jubilee Regency Pageant



Topaz Dumpy Crown Amber Platinum Tube PETG Poly Cylindrical Rectangular Nature Charmwood

Details

BOTTLE RANGE	Page Number	2.5ml	5ml	10ml	15ml	20ml	CAPACITY									
							25ml	30ml	50ml	60ml	75ml	100ml	125ml	150ml	200ml	
Martlet	6						■		●			●				
Metric	7	◆	◆	◆	◆		◆	■	■	■	■	■	●	●	●	
Nature	9											■		●	●	
Pageant	9											■			●	
Bradgate	10							■	●			■				
Charmwood	11											■				
Swithland	11								◆		■				●	
Quadra	11								■			■				
Europa	12						◆	■	■	■	■	■		●	●	
Dumpy	13							■		■		■				
Classic	14						◆	■	■	■	■	■		●	●	
Griffin	15				◆		◆	■	■	■	■	■		●	●	
Wyvern	16						◆	■	■	■	■	■		●	●	
Jubilee	17	◆	◆	◆	◆		◆	■	■	■	■	■		●	●	
Regency	18						◆	■	■	■	■	■		●	●	
Crown	18								■			■		●		
Opal	18							◆								
Topaz	18							■								
Tube	19	◆	◆	◆	■	■			●							
Amber	23							■	■	■	■	■		●	●	
Platinum	24						◆	■	■	■	■	■		●	●	
PETG	25							■	■	■	■	■		●	●	
Poly	26						◆	■	■	■	■	■		●	●	
Cylindrical	27							■	■	■	■	■		●	●	
Rectangular	27				◆									●	●	



- ◆ = 15mm Nozzle Plug & Cap
Plug: Cat. No. 3115
Cap: Cat. No. 3116
- = 18mm Nozzle Plug & Cap
Plug: Cat. No. 3118
Cap: Cat. No. 3119
- = 20mm Nozzle Plug & Cap
Plug: Cat. No. 3120
Cap: Cat. No. 3121

From Stock

Manufactured from recyclable plastics.



Amber Metric Range

- Amber PVC available from stock.
- Other ranges available to order in amber PVC
- Ribbed, smooth, tall, nozzle, spouted and ball caps available in white and black; colours to order.
- Cap and dispenser details on pages 29-35.



250ml

150ml

100ml

75ml

50ml

30ml

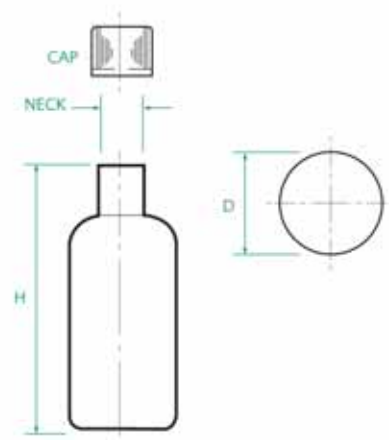
Details

Amber Metric

Catalogue Number	Capacity	D Diameter	H Height	Neck Size	Material	Box QTY
6101AMB	30ml	29	75	18mm R4	Amber PVC	800
6071AMB	50ml	34	84	"	"	500
6072AMB	75ml	39	94	"	"	350
6073AMB	100ml	44	102	"	"	250
6074AMB	150ml	49	117	20mm R4	"	180
6076AMB	250ml	57	136	22mm R4	"	122

Dimensions in mm

Technical





Platinum Range Bottles

- White PVC available from stock.
- PET available to order.
- Ribbed, smooth, tall, nozzle, spouted and ball caps available in white and black; colours to order.
- Cap and dispenser details on pages 29-35.



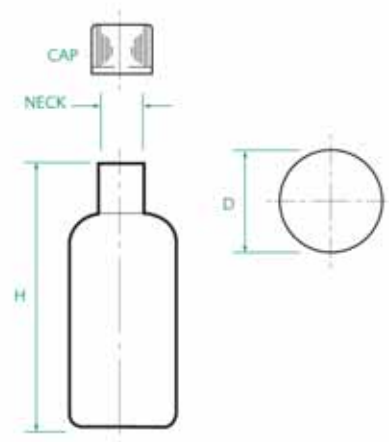
250ml 150ml 100ml 50ml 25ml

Details

Platinum						
Catalogue Number	Capacity	D Diameter	H Height	Neck Size	Material	Box QTY
6070W	25ml	27	69	15mm R4	White PVC	1000
6071W	50ml	34	84	18mm R4	"	500
6073W	100ml	44	102	"	"	250
6074W	150ml	49	117	20mm R4	"	180
6076W	250ml	57	136	22mm R4	"	122

Dimensions in mm

Technical





PETG Range Bottles

- Clear PETG available from stock. Amber, black, trans blue, white, and colours available to order.
- Ribbed, smooth, tall, nozzle, spouted and ball caps available in white and black; colours to order.
- Cap and dispenser details on pages 29-35.



500ml 250ml 200ml 150ml 125ml 100ml 75ml 50ml 30ml 25ml

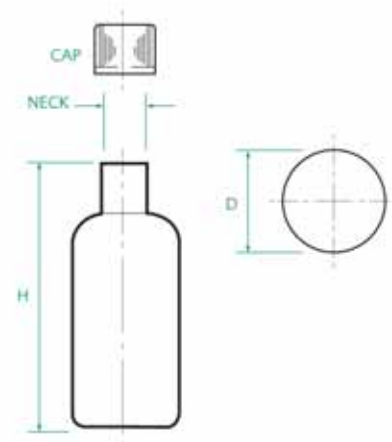
Details

PETG Metric

Catalogue Number	Capacity	D Diameter	H Height	Neck Size	Material	Box QTY
6070PET	25ml	27	69	15mm R4	Clear PETG	500
6101PET	30ml	29	75	18mm R4	"	750
6071PET	50ml	34	84	"	"	500
6072PET	75ml	39	94	"	"	350
6073PET	100ml	44	102	"	"	250
6077PET	125ml	45.5	109.5	20mm R4	"	200
6074PET	150ml	49	117	"	"	170
6075PET	200ml	55	130	"	"	132
6076PET	250ml	57	136	22mm R4	"	122
6079PET	500ml	72	169	24mm R4	"	150

Dimensions in mm

Technical





Metric Polythene Range Bottles

- Natural High Density Polyethylene available from stock (6024: MDPE). White, black and colours available to order.
- Ribbed, smooth, tall, nozzle, spouted and ball caps available in white and black; colours to order.
- Cap and dispenser details on pages 29-35.



250ml

150ml

50ml

30ml

25ml

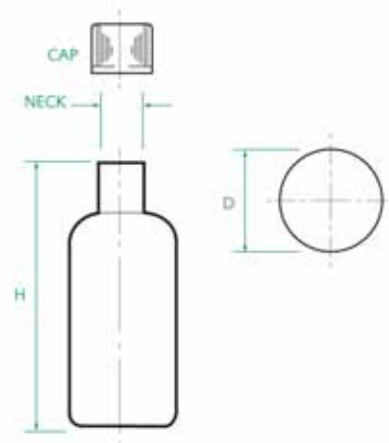
Details

Poly Range

Catalogue Number	Capacity	D Diameter	H Height	Neck Size	Material	Box QTY
6070PE	25ml	27	70	15mm R4	Natural HDPE	1000
6024	30ml	31	73	18mm R4	Natural MDPE	750
6071PE	50ml	34	84	"	Natural HDPE	500
6074PE	150ml	49	118	20mm R4	"	180
6076PE	250ml	57	135	22mm R4	"	122

Dimensions in mm

Technical





Cylindrical & Rectangular Range

Cylindrical



Rectangular



- Available in materials shown from stock with white, black and colours available to order.
- 20ml 6166 bottle has a warning triangle embossed on its side. This bottle is available in white with colours to order.
- Ribbed, smooth, tall, nozzle, spouted and ball caps available in white and black; colours to order.
- Cap and dispenser details on pages 29-35.

Details

Cylindrical Details

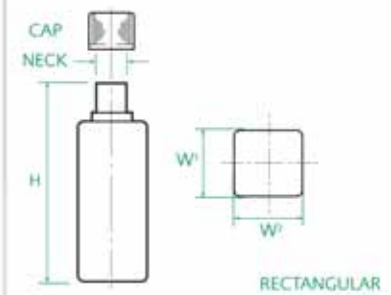
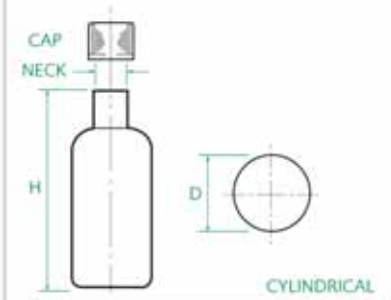
Catalogue Number	Capacity	D Diameter	H Height	Neck Size	Material	Box QTY
6018V	20ml	21	94	18mm R4	Clear PVC	1100
6024	30ml	31	73	*	Natural MDPE	750
6030	60ml	38	81	*	Natural HDPE	450
6120/24	100ml	39	130	24mm R4	Natural MDPE	230
6039	120ml	45	107.5	22mm R4	Natural HDPE	230
6056	125ml	49	117.5	*	Clear PVC	200
6213/24V	125ml	38.5	153.5	24mm R4	*	200
6213/24PE	*	38	151	*	Natural MDPE	200
6214/24V	250ml	48	192.5	*	Clear PVC	100
6214/24PE	*	47	189	*	Natural MDPE	100

Rectangular Details

Catalogue Number	Capacity	W1xW2	H Height	Neck Size	Material	Box QTY
6166	20ml	34 x 21	56	15mm R4	White HDPE	1200
6052	125ml	67 x 28	108	20mm R4	Natural HDPE	238
6023	600ml	69 x 69	182	31mm R6	*	156
6193	1000ml	81.5 x 81.5	208	*	*	84

Dimensions in mm

Technical





Colour Matching



Screen Printing



Minor Tool Alterations



Coloured Products

Product Tailoring Service

Made to order minimum quantities apply.

Our unique service just for you, tailor made to suit your requirements.

As well as our wide variety of stock ranges and products, we are also able to tailor our products to suit your specific needs without breaking the bank. As well as a full custom moulding and bespoke design service we are also happy to look at small alterations to our stock ranges to help you achieve your desired look (subject to product parameters).

The best way to achieve a new look item is by making a tailor made custom mould, which we can design and make in-house (see Page 43 for details). But if you can't stretch to the price of a brand new mould we may be able to reduce the costs by making minor modifications to our current tooling.

Like the idea of our products in the colour to suit your products? Talk to our sales team about having a colour matched item or one of our standard colours that may be the economic answer to your tailoring needs.

Can't get your chosen cap to fit the bottle? Bottle necks can easily be changed to achieve this by altering the mould. Fancy it in a different colour or material? We can make to order all our products in any colour and suitable material (subject to testing).

Do you like the idea of having your company logo on a scoop or measure? Printing on the product image and details rather than labelling is something we can offer with an in-house screen-printing facility and our own design team to help you with your artwork. We can accept most file formats and will email a pre-production sign off form to make sure you are happy before we begin printing. See Page 42 for details.

So don't just dream about launching that new product, let us help you turn it into reality.

We can reassure you that we have been doing this for over 80 years; we are a family business so you can be sure of that attention to detail so often lacking with large companies.



15mm



4515



4518



4591B



4591C



4520

18mm

20mm

24mm



4524

22mm



4422

20mm



4573



4592

Bottle Plugs

- Available from stock in Natural Low Density Polyethylene.
- Available in colours to order.
- Plugs fit Measom Freer standard necks.
- 'Plugseal' (see page 30) and Urea (see page 31) caps to be used in conjunction with these bottle plugs.

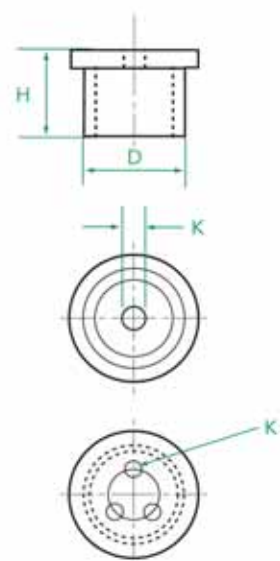
Details

Bottle Plugs

Catalogue Number	Neck Size	K Orifice	D Shank Diameter	H Height	Box QTY
4515	15	1.5	11.4	10.5	15,000
4518	18	1.8	12.5	13	10,000
4591B	"	5	12.5	14.5	10,000
4591C	"	3 x 1.8	12.5	14.5	10,000
4520	20	2	15	11	8,500
4592	"	5	15	13	8,500
4573	"	6 x 1.8	15	13	17,500
4422	22	2	16.5	9.5	8,000
4524	24	3	18	13.5	4,500

Dimensions in mm

Technical





Screw Caps

- Available from stock in white and black Polypropylene.
- Colours available to order.
- Two types of seal arrangements are available:

1. **Skirtseal** caps, which seal on the bore of the bottle and should not be used in conjunction with a bottle plug.
2. ***Plugseal** caps, which must only be used with a bottle plug. (See page 29).



Details

SKIRTSEAL Ribbed Cap				
Catalogue Number	Neck Size	D Diameter	H Height	Box QTY
5315R	15mm R4	18	15	5500
5318R	18mm R4	22	16	3500
5320R	20mm R4	24	20	2200
5322R	22mm R4	26	22	1700
5324R	24mm R4	28	25	1200

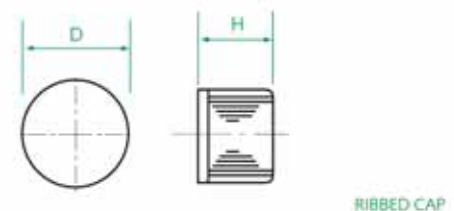
SKIRTSEAL Smooth Cap				
Catalogue Number	Neck Size	D Diameter	H Height	Box QTY
5315S	15mm R4	18	15	5500
5318S	18mm R4	21	16	3500
5320S	20mm R4	24	20	2200
5322S	22mm R4	26	23	1700
5324S	24mm R4	28	26	1200

*PLUGSEAL Ribbed Cap				
Catalogue Number	Neck Size	D Diameter	H Height	Box QTY
5415R	15mm R4	18	15	5500
5418R	18mm R4	22	16	3500
5420R	20mm R4	24	20	2200
5422R	22mm R4	26	22	1700
5424R	24mm R4	28	25	1200

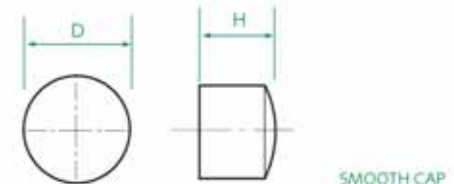
*PLUGSEAL Smooth Cap				
Catalogue Number	Neck Size	D Diameter	H Height	Box QTY
5415S	15mm R4	18	15	5500
5418S	18mm R4	21	16	3500
5420S	20mm R4	24	20	2200
5422S	22mm R4	26	23	1700
5424S	24mm R4	28	26	1200

Dimensions in mm

Technical



RIBBED CAP



SMOOTH CAP





Fine Ribbed, Tall and Ball Caps

- Thermoplastic & Thermoset caps.
- 5500 series & 5600 series available in white Urea. For use with or without bottle plug.
- 5200 series & 5700 series available in white or black polypropylene with colours available to order. For use WITHOUT bottle plugs.
- 5715P: 15mm R4 Tall Plugseal Cap MUST be used with 15mm bottle plug 4515 (page 29).
- 5718P: 18mm R4 Tall Plugseal Cap MUST be used with 18mm bottle plug 4518 (page 29).
- 5720P: 20mm R4 Tall Plugseal Cap MUST be used with 20mm bottle plug 4520 (page 29).

Fine Ribbed Cap



31mm 28mm 24mm 22mm 18mm

Tall Cap



24mm 22mm 20mm 18mm 15mm

Ball Cap



18mm 15mm

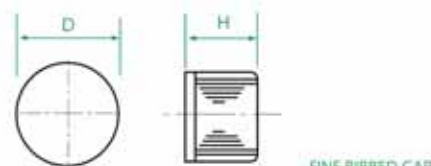
Details

Fine Ribbed, Tall and Ball Caps							
Catalogue Number	Type	Seal Type	Neck Size	D Diameter	H Height	Material	Box QTY
5518	Fine Ribbed Cap	Wadded	18mm R4	21	18	Urea *	3000
5522	"	"	22mm R4	25	24	" "	2800
5524	"	"	24mm R4	27	27	" "	2100
5328R	"	"	28mm R4	32	29	Polypropylene	1100
4571	"	"	31mm R6	33	19	"	1500
5715	Tall Cap	Skirtseal	15mm R4	18	20	"	3500
5715P	"	Plugseal	"	18	20	"	3500
5618	"	Wadded	18mm R4	21	27	Urea *	2000
5718	"	Skirtseal	"	21	26	Polypropylene	2000
5718P	"	Plugseal	"	21	26	"	2000
5620	"	Wadded	20mm R4	23	30	Urea *	1500
5720	"	Skirtseal	"	24	29	Polypropylene	1500
5720P	"	Plugseal	"	24	29	"	1500
5622	"	Wadded	22mm R4	25	32	Urea *	1200
5624	"	"	24mm R4	27	36	" "	1600
5215	Ball Cap	Skirtseal	15mm R4	22	18	Polypropylene	4000
5218	"	Skirtseal	18mm R4	25	20	"	2500

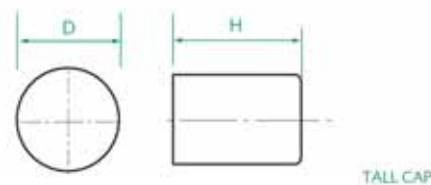
Dimensions in mm

* Urea is not recyclable

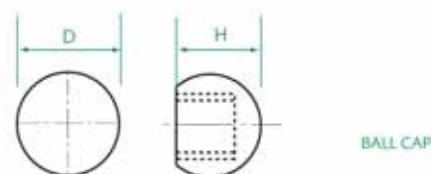
Technical



FINE RIBBED CAP



TALL CAP



BALL CAP





Spouted Caps and Luer Caps

- Spouted caps with long nozzle and re-closure tip.
- Luer caps fit Luer-lock and Luer-slip needles and re-sealing tip (4612A).
- Available in white with colours to order.
- Typical uses include lubricants, adhesives, inks etc. that require accurate application.
- Scabbard and Needle Covers can be ordered to suit the blunt needles required. Please contact our sales team regarding your requirements.



Details

Spouted Caps

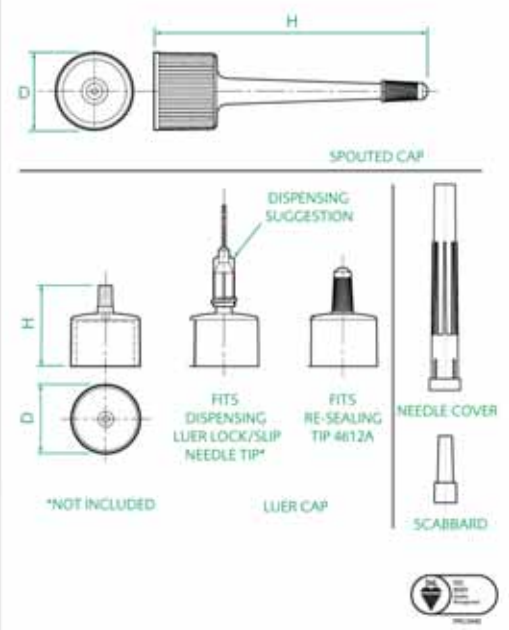
Catalogue Number	Neck Size	H Height	D Diameter	Material	Box QTY
4715	15mm R4	48	18	Polypropylene	3000
4612	18mm R4	62	22	-	2000
4629	20mm R4	81	24	-	1200

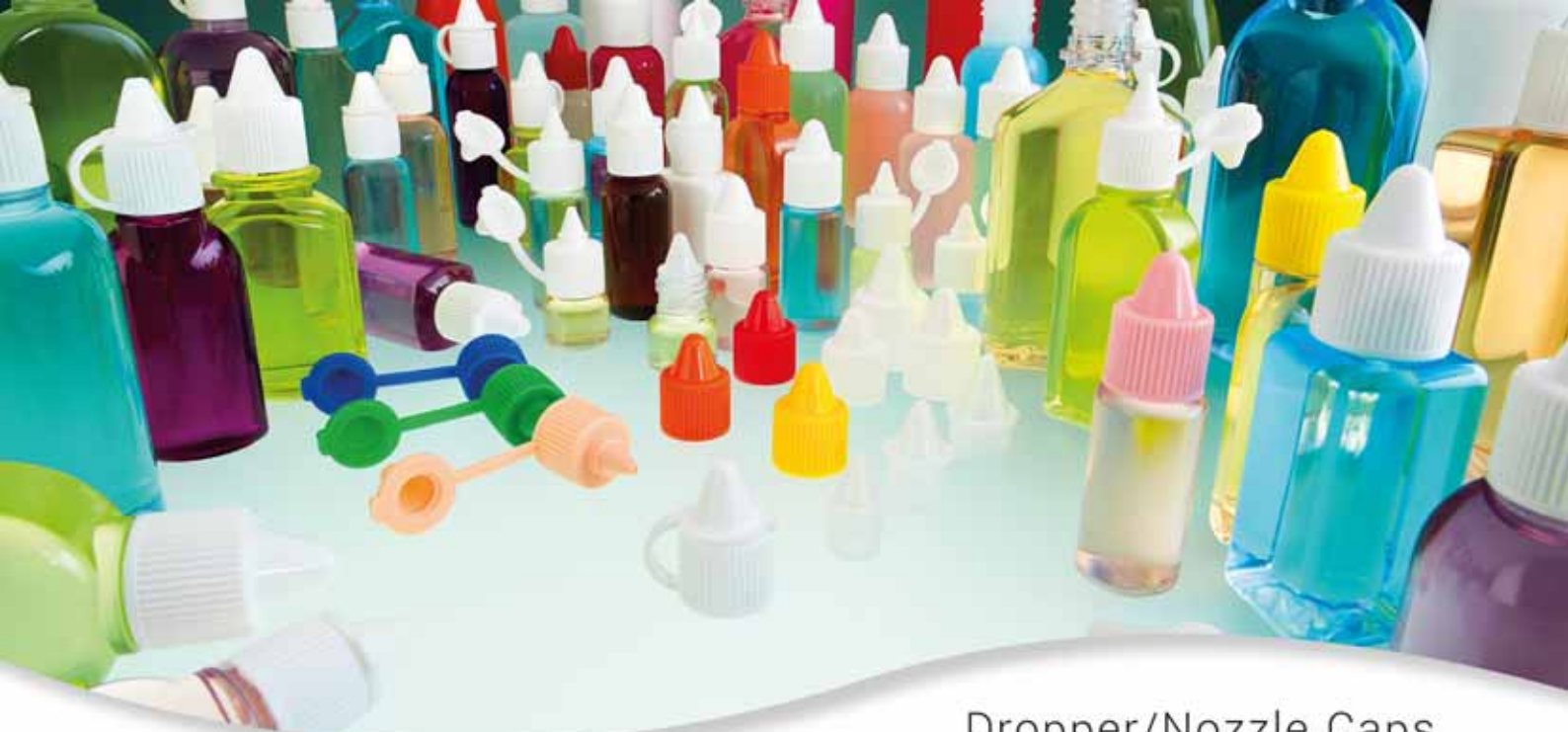
Luer Cap

Catalogue Number	Neck Size	H Height	D Diameter	Material	Box QTY
4218	18mm R4	25	21	Polypropylene	3000
4612A	Sealing Tip	14	7	LDPE	-
42185	Scabbard	Gauge 12-25		Rubber	-
4218NC	Needle Cover	0.5", 1", 1.5"		Clear Plastic	-

Dimensions in mm

Technical





Dropper/Nozzle Caps and Nozzle Plugs

- Dropper Caps with captive closure for single drop dispensing.
- Nozzle Plugs and Caps for single drop dispensing.
- Available from stock in white with colours available to order.
- Typical uses include lubricants, adhesives, inks, chemicals, pharmaceuticals, veterinary preparations, hair care products etc.

Nozzle Plug



Nozzle Cap

Nozzle Plug



Nozzle Cap

15mm

3115 3116

18mm

3118 3119

Nozzle Plug



Nozzle Cap

Dropper Cap



20mm

3120 3121

4021 4315

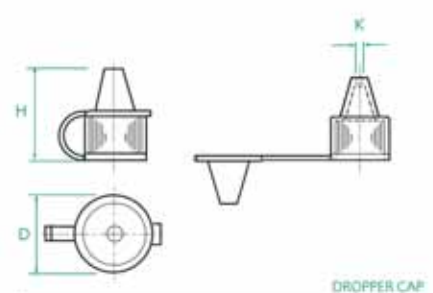
Details

Dropper and Nozzle Caps & Plugs

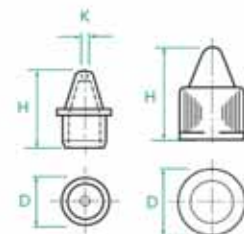
Catalogue Number	Type	Neck Size	H Height	D Diameter	K Orifice	Material	Box QTY
4021	Dropper Cap	Snap-On	26	19	1.2	White LDPE	2500
4315	"	15mm R4	28	18	1.2	"	2500
3115	Nozzle Plug	15mm	21	11.4	1.5	Natural LDPE	10000
3116	Nozzle Cap	15mm R4	25	18	-	Polypropylene	4000
3118	Nozzle Plug	18mm	24	12.5	1.5	Natural LDPE	7500
3119	Nozzle Cap	18mm R4	29	21	-	Polypropylene	2500
3120	Nozzle Plug	20mm	25	17.4	1.5	Natural LDPE	5000
3121	Nozzle Cap	20mm R4	35	24	-	Polypropylene	1800

Dimensions in mm

Technical



DROPPER CAP



NOZZLE PLUG & CAP





Flip Caps



5815 5918 5818 5820 5922 5824 5828

Disc Caps



5020 5024 5028

Flip Caps and Disc Caps

- Flip cap with integral hinge, available from stock in white Polypropylene.
- Disc caps with push-up hinged disc and rectangular orifice. Available from stock in white Polypropylene.
- Typical uses are for creams, gels, lotions, oils, alcohol gel hand sanitisers, toiletries, pharmaceuticals, chemicals, veterinary preparations, hair care and other viscous products.

Details

Flip Caps

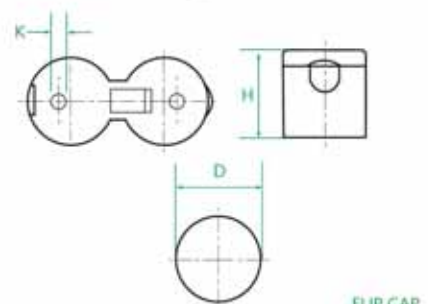
Catalogue Number	Type	Neck Size	D Diameter	H Height	K Orifice	Material	Box QTY
5815	Smooth	15mm R4	18	20	3.2	Polypropylene	9000
5918	Ribbed	18mm R4	23	21	2.5	*	2000
5818	Smooth	18mm R4	21	22.5	3	*	6000
5820	Smooth	20mm R4	24	26	3	*	1750
5922	Ribbed	22mm R4	27	27	2.5	*	1200
5824	Smooth	24mm R4	28	33	3	*	2100
5828	Smooth	28mm R4	32	35	4	*	1550

DISC Caps

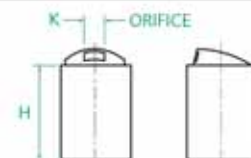
Catalogue Number	Neck Size	D Diameter	H Height	K Orifice	Material	Box QTY
5020	20mm R4	23	30	6.8	Polypropylene	3800
5024	24mm R4	27.5	36	7.8	*	2100
5028	28mm R4	31.5	40	8.4	*	1100

Dimensions in mm

Technical



FLIP CAP



DISC CAP





Spray, Gel, Lotion Pumps and Trigger Spray

- Spray and Gel Pumps with a clear PP overcap.
Min. order for Spray Pumps & 18/20mm Gel pumps: 1,000. Min. order for 22/24 mm Gel Pumps: 10,000.
- Made to order in natural, white or black; other colours available with min. 25,000 quantity.
- Larger doses available in both pump types and upside down versions of the Spray pump are also available.
- Lotion Pumps in ribbed PP finish. Min. order 1,000.
- Made to order in white; other colours available. Dip tubes cut to length to suit bottles.
- Trigger spray Min. order 5,000.

Spray



49315 49318 49320 49322 49324

Gel



49518 49520 49522 49524



Lotion

Trigger

52124 52128 52131

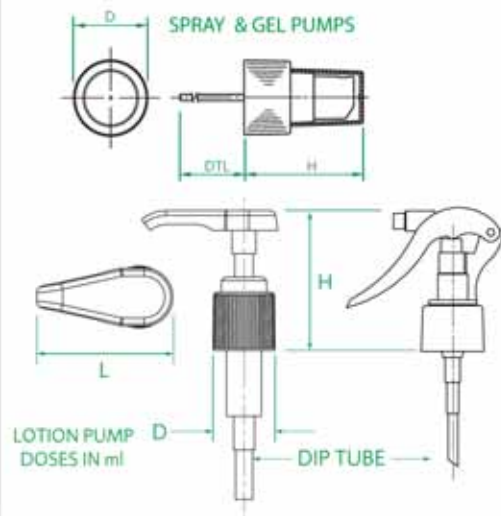
53124

Details

Spray Pump							
CATALOGUE NUMBER	Type	NECK SIZE	D DIAMETER	H HEIGHT	DOSE μ l	MATERIAL	
49315	Ribbed	15mm R4	18	39	120	Mostly PP	
49318	"	18mm R4	21	42	100	"	
49320	"	20mm R4	23.5	47	120	"	
49322	"	22mm R4	25.5	51	120	"	
49324	"	24mm R4	28.5	54	160	"	
Gel Pump							
CATALOGUE NUMBER	TYPE	NECK SIZE	D DIAMETER	H HEIGHT	DOSE μ l	MATERIAL	
49518	Smooth	18mm R4	21	43.1	200	Mostly PP	
49520	"	20mm R4	23	47.1	200	"	
49522	Ribbed	22mm R4	26	48.5	250	"	
49524	"	24mm R4	28	52.5	250	"	
Lotion Pump							
CATALOGUE NUMBER	TYPE	NECK SIZE	D DIAMETER	H HEIGHT	L LENGTH	DOSE ml	MATERIAL
52124	Ribbed	24mm R4	28	60	43	1.0	Mostly PP
52128	"	28mm R4	31.5	71	68	3.5	"
52131	"	31mm R6	33.5	60.5	68	3.5	"
Trigger Spray							
CATALOGUE NUMBER	NECK SIZE	D DIAMETER	H HEIGHT	L LENGTH	DOSE ml	MATERIAL	
53124	24mm R4	27.5	74	70	0.25	Mostly PP	

Dimensions in mm

Technical



DTL: Dip Tube Length determined by bottle height





Scoop



SIZE 1 SIZE 2 SIZE 3 SIZE 1

Measures



60ml 75ml 100ml 150ml



50ml 30ml 25ml 15ml 10ml 5ml 2.5ml 1ml 0.5ml

Details

Scoops

CATALOGUE NUMBER	SIZE	TYPE	W WIDTH	H HEIGHT	L LENGTH	PL PAN LENGTH	MATERIAL	Box QTY
4238	1	Micro	48	30	137	70	Natural HDPE	175
4678	2	Mini	67	40	190	105	"	140
4240	3	Small	105	63	250	150	"	75
4013	4	Large	150	90	354	235	"	26

Measures

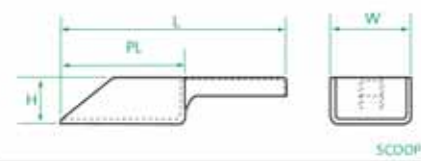
CATALOGUE NUMBER	CAPACITY	TYPE	D DIAMETER OF BOWL	H HEIGHT OF BOWL	L LENGTH	MATERIAL	Box QTY
4800	0.5ml	BOWL	15	7	39	Blue Polystyrene	1000
4801	1ml	"	19	9	43	"	1000
4802	2.5ml	"	25	11	51	"	1000
4805	5ml	"	31	14	61	"	2500
4810	10ml	"	38	17	73	"	1500
4815	15ml	"	43	19	84	"	1000
4825	25ml	"	51	23	97	"	1500
4830	30ml	"	54	24	100	"	700
4850	50ml	"	64	28	114	"	900
4860	60ml	PAN	57	34	100	"	600
4875	75ml	"	61	36	106	"	500
48100	100ml	"	68	38	113	"	400
48150	150ml	"	77.5	43	122.5	"	300

Dimensions in mm

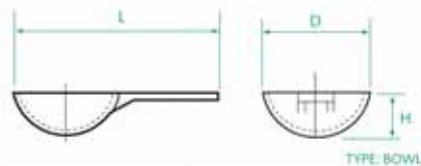
Scoops and Measures

- Scoops available from stock in natural High Density Polyethylene with colours to order.
- Measures available from stock in blue Polystyrene with colours to order.
- A wide variety of dosage, bulk handling, industrial, catering and retail applications.

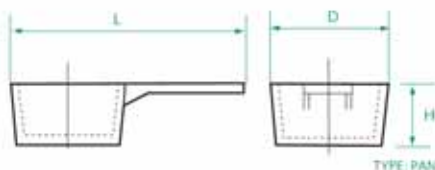
Technical



SCOOP



TYPE: BOWL



TYPE: PAN





Boxes



4236 4721 4708 3009 4647



4250 4252 4210/3 3007

Soap Boxes



4696 4706 4716 4694

Details

BOXES

Catalogue Number	Type	IL Internal Width	IW Internal Height	IH Internal	Material	Box QTY
4236	Rectangular	38	27	12	Clear Polystyrene	700
4721	"	46	33	18	"	300
4708	"	60	44	24	"	319
3009	"	84	64	13	"	240
4647	"	85	60	32	"	256
4250	"	95	75	20	"	252
4252	"	95	75	38	"	158
4210/3	"	105	89	44	"	105
3007	Round	Internal Diameter 73	18	44	"	192

SOAP BOXES

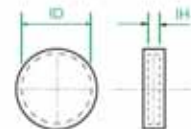
Catalogue Number	Type	L Length	W Width	H Height	Soap Tablet Size	Material	Box QTY
4696	Round	Ø58	25	20 - 30 g	Polystyrene	671	
4706	"	Ø58	29	30 - 40 g	"	610	
4716	"	Ø78	38	70 - 100 g	"	224	
4694	Classic	66 x 50	22	20 - 25 g	"	616	

Dimensions in mm

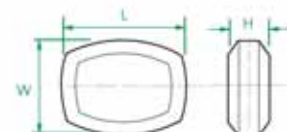
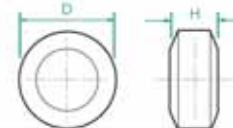
Boxes & Soap Boxes

- Rigid high quality boxes manufactured in clear Polystyrene from stock; soap boxes made to order.
- Available in colours to order.
- For the packaging, storage and display of a wide variety of products.

Technical



BOXES



SOAP BOXES





3151

3150

3101



3051

3050

3026

3011

Details

Jars							
Catalogue Number	Capacity	D Diameter	H Height	Neck Size	Type	Material	Box QTY
3011	10ml	34	25.5	33mm	Thick Walled	Clear SAN	750
3026	25ml	42	30	40mm R3	*	Clear Polystyrene	500
3050	50ml	49.5	39	48mm R3	Thin Walled	*	275
3051	50ml	49.5	39	*	Thick Walled	*	250
3101	100ml	61.5	51.5	60mm R3	*	*	125
3150	150ml	72.5	51	70mm R3	Thin Walled	*	100
3151	150ml	72.5	51	*	Thick Walled	*	100

Jar Caps						
Catalogue Number	Neck Size	D Diameter	H Height	Material	Box QTY	
50033	33mm	34	10	Polypropylene	2700	
50040	40mm R3	43	11.5	*	2000	
50048	48mm R3	50	11.5	*	1700	
50060	60mm R3	62	12.5	*	550	
50070	70mm R3	72.5	11.5	*	900	

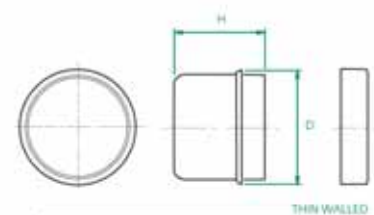
Dimensions in mm

* Urea is not recyclable

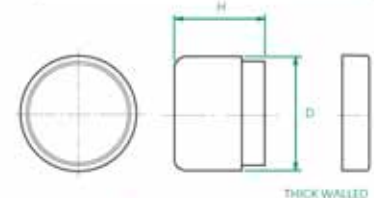
Jars and Jar Caps

- The full range is available in clear Polystyrene from stock with SAN, white, black and colours available to order.
- Thermoset and PP smooth finish wadded caps available in white with colours to order. 33mm PP Cap is skirtseal.
- For the packaging of toiletries, cosmetics, personal care products, gels, powders, creams, etc. and general storage.
- Jar caps available from stock in white Urea and Polypropylene.

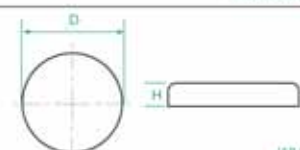
Technical



THIN WALLED



THICK WALLED



JAR CAP





Rigid Tubes

- Rigid Tubes available from stock in Polystyrene or High Density Polyethylene.
- Available in colours to order.
- Screw-on or push-on caps.

Screw-On Cap



3010 17ml

3012 5ml

Push-On Cap



4613 17ml

4586/7 25ml

Details

Screw-On Cap Tubes

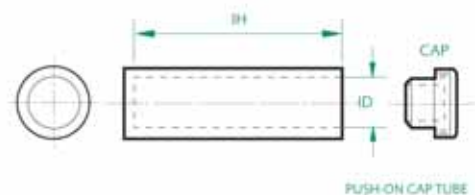
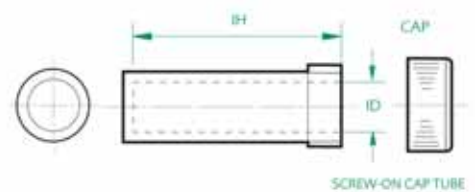
Catalogue Number	Capacity	ID Internal Diameter	IH Internal Height	Cap	Material	Box QTY
3012	5ml	11	58	White LDPE	Clear Polystyrene	1500
3010	17ml	17	70	"	"	600

Push-On Cap Tubes

Catalogue Number	Capacity	ID Internal Diameter	IH Internal Height	Cap	Material	Box QTY
4613	17ml	17	74	Natural LDPE	Clear Polystyrene	550
4586/7	25ml	22	78	"	Natural HDPE	750

Dimensions in mm

Technical





Spatula Applicators & Spoons

- Spatulas available from stock in Polypropylene, Polystyrene or High Density Polyethylene with colours to order.
- Spoon available from stock in Polystyrene with colours to order.
- For dispensing, mixing and application of a wide range of products. The Large Spatula can be used in conjunction with our Scoops for retrieval of gels or material from surfaces.



Large Spatula
4704

50mm Spatula
4700

100mm Spatula
4702

Spoon
4709

Details

Spatulas

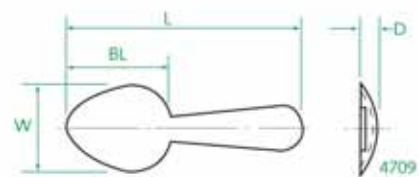
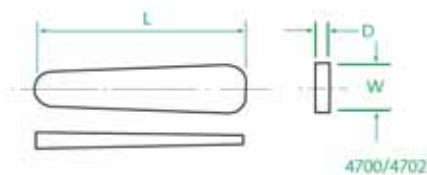
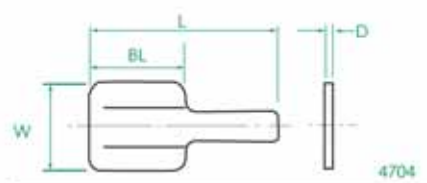
Catalogue Number	W Width Of Blade	Bl Blade Length	L Length	D Depth	Material	Box QTY
4700	10	-	51	3	White Polystyrene	2000
4702	15	-	98	4	Clear Polypropylene	2000
4704	71	80	166	3	Natural HDPE	1200

Spoon

Catalogue Number	W Width Of Bowl	Bl Bowl Length	L Length	D Depth	Material	Box QTY
4709	28	36	82	4	White Polystyrene	2000

Dimensions in mm

Technical





Standard Duty
4189

Heavy Duty
4649

Round Head Fastener
4549

Clip-Over Fastener
4597

Fasteners

- Adjustable Fasteners available from stock in Low Density Polyethylene with colours to order. For use as a re-usable bag tie, plant tie, assembly work, wire tidy etc.
- Drive Fastener available from stock in High Density Polyethylene with UV inhibitor with colours to order. Used to secure marker plates for gas, water and other services. Designed to suit variable hole sizes of approximately 8mm diameter.
- Clip-Over Fastener available from stock in High Density Polyethylene with colours to order. For use as a re-usable plant tie, cable clip, sheet clip, assembly work, wire tidy etc.

Details

Adjustable Fastener

Catalogue Number	Type	L Length	Material	Box QTY
4189	Standard Duty	150	White LDPE	2000
4649	Heavy Duty	195	-	2000

Drive Fastener

Catalogue Number	Type	L Length	D Diameter	Material	Box Qty
4549	Round Head Fastener	38	9.5	UV HDPE	2000

Clip-Over Fastener

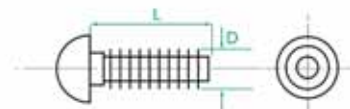
Catalogue Number	Type	L Length	W Width	D Depth	Material	Box Qty
4597	Clip-Over Fastener	53	12.5	2	Black LDPE	2000

Dimensions in mm

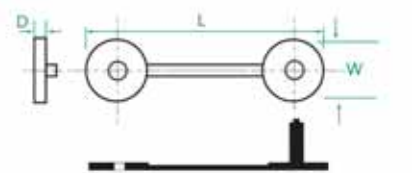
Technical



ADJUSTABLE FASTENER



DRIVE FASTENER



CLIP-OVER FASTENER





Printing Services

- A screen printing service is available for the decoration of bottles and other mouldings.
- We can print either as single pass (one colour) or multi-pass (several colours).
- We can print onto any of our production materials including PVC, HDPE, LDPE, PETG, PP, PS, HIPS etc.
- Our in-house design service can help you with your design and we can accept most file formats.
- Printing runs can be accepted from short runs to long runs.
- Email your artwork to our sales team for our advice, to discuss your requirements or for an economic quotation.





Custom Moulding

- Custom Made Products: Bespoke packaging, bottles, jars, boxes, caps, plugs, measures, spatulas, scoops, spoons, tubes, fasteners etc.
- Blow Moulding: In most thermoplastics including PVC, HDPE, LDPE, PETG, PP etc. up to 1 litre capacity. Bottles made to customers' own requirements.
- Injection Moulding: Up to a shot weight of approximately 350g, processed in most thermoplastic materials.
- Strict confidentiality at all stages.
- Our drawing office is equipped with the latest CAD/CAM facilities for component design, 3D modelling and visualisation through to full tool design and manufacture.
- We have our own in-house toolroom, which has continual investment in cutting edge CNC technology that complements our CAD/CAM design facility. We specialise entirely on the production of quality blow moulding and injection moulding tools.
- A printing service is available for the decoration of bottles and other mouldings.
- 24 hours a day production to achieve maximum output at economic prices.
- Our procedures are certified to BS EN ISO 9001 (2008) (Certificate No. FM 13440).
- Established in 1937, we have over 80 years' experience in the plastics industry and continue to offer a prompt personal service.



 Manufactured from recyclable plastics.



Environmental Policy

Measom Freer is one of the most respected names in plastic packaging, with over 80 years of experience. The company produces a wide range of plastic packaging, with an extensive off the shelf product range including plastic bottles, caps, measures, adjustable fasteners, scoops, spatulas and spoons. The company is also a specialist in bespoke packaging and provides a printing service for bottles and ancillary products.

Measom Freer believes it has an important duty to ensure good environmental performance in all of its business operations and to provide the necessary organisation, commitment and training to fulfil this obligation. The senior management is committed to monitoring and improving environmental performance, pollution prevention and environmental protection.

These aims will be achieved through:

- Incorporating environmental responsibility into all business operations by planning environmental protection, reviewing and developing policy, setting and reviewing objectives and targets and auditing performance by maintaining a BS 8555 certified environmental management system.
- Complying with all relevant existing and future legal requirements, regulations, requirements and improving on minimum standards where reasonably practicable.
- Pursuing continual improvement in environmental performance, where reasonably practicable, as part of setting and reviewing objectives and targets reflecting the most significant environmental aspects of Measom Freer's operations.

These have been identified as:

- Minimising the consumption of resources and waste sent for final disposal and increasing re-use and recycling.
- Improving energy efficiency and reducing carbon footprint.
- Improving the environmental and sustainable performance of purchasing activities.

This Policy is communicated to all persons working for or on behalf of Measom Freer and is available to interested stakeholders, contractors and the public. The Managing Director is responsible for implementing this Policy and communicating it to each employee. It is the responsibility of all employees to implement this policy together with their collective and individual responsibilities. This Policy is subject to regular review to ensure that it continues to reflect the aims of Measom Freer and promotes continuous environmental improvement throughout the company's operations.



Manufactured from recyclable plastics.

From Stock

Terms and Conditions for the supply of goods

The customer's attention is drawn in particular to the provisions of clause 8

1. INTERPRETATION

1.1 Definitions. In these Conditions, the following definitions apply:

Business Day: a day (other than a Saturday, Sunday or public holiday) when banks in London are open for business.

Conditions: the terms and conditions set out in this document as amended from time to time in accordance with clause 12.6.

Contract: the contract between the Supplier and the Customer for the sale and purchase of the Goods in accordance with these Conditions.

Customer: the person or firm who purchases the Goods from the Supplier.

Force Majeure Event: has the meaning given in clause 9.

Goods: the goods (or any part of them) set out in the Order.

Intellectual Property Rights: means all rights available for the protection of any discovery, invention, name, design, process or works in which copyright or any rights in the nature of copyright subsist and all patents, copyrights, moral rights, rights in databases, utility models, registered designs, design rights, trade marks, service marks whether registered or not and whether registered or not (in any part of the World) and other forms of protection from time to time subsisting in relation to the same, including the right to apply for any such protection and trade secrets, methods, knowledge, know how and other unpublished information.

Order: the Customer's order for the Goods, as set out in the acknowledgement of order form.

Printing Plates and Screens: any jigs, fixtures, screens, stamps and dies used in the printing of the Goods.

Specification: any specification for the Goods, including any related plans and drawings that is supplied to the Supplier by the Customer, or produced by the Supplier and agreed in writing by the Supplier.

Supplier: Measom Freer & Company Limited (registered in England and Wales with company number 654605).

Taxation: all forms of taxation, duties, levies and imports whether of the United Kingdom or any other jurisdiction and all penalties, fines, charges and interest relating to any of the foregoing or resulting from a failure to comply with any provisions of any enactment relating to taxation.

Tooling: any moulds, tools, jigs and fixtures used in the manufacture and subsequent operations in producing the Goods for sale.

1.2 Construction. In these Conditions, the following rules apply:

(a) A person includes a natural person, corporate or unincorporated body (whether or not having separate legal personality).

(b) A reference to a party includes its personal representatives, successors or permitted assigns.

(c) A reference to a statute or statutory provision is a reference to such statute or provision as amended or re-enacted. A reference to a statute or statutory provision includes any subordinate legislation made under that statute or statutory provision, as amended or re-enacted.

(d) Any phrase introduced by the terms including, include, in particular or any similar expression shall be construed as illustrative and shall not limit the sense of the words preceding those terms.

(e) A reference to writing or written includes faxes and e-mails.

2. BASIS OF CONTRACT

2.1 These Conditions apply to the Contract to the exclusion of any other terms that the Customer seeks to impose or incorporate, or which are implied by trade, custom, practice or course of dealing.

2.2 The Order constitutes an offer by the Customer to purchase the Goods in accordance with these Conditions. The Customer shall ensure that the terms of the Order and any relevant Specification are complete and accurate.

2.3 The Order shall only be deemed to be accepted when the Supplier issues a written acceptance of the Order, at which point the Contract shall come into existence.

2.4 The Contract constitutes the entire agreement between the parties. The Customer acknowledges that it has not relied on any statement, promise or representation made or given by or on behalf of the Supplier which is not set out in the Contract. Any samples, drawings, descriptive matter, or advertising issued by the Supplier and any descriptions or illustrations contained in the Supplier's catalogues or brochures are issued or published for the sole purpose of giving an approximate idea of the Goods described in them. They shall not form part of the Contract or any other contract between the Supplier and the Customer for the sale of the Goods.

2.5 A quotation for the Goods given by the Supplier shall not constitute an offer. A quotation shall only be valid for a period of 20 Business Days from its date of issue.

3. DELIVERY

3.1 The Supplier shall ensure that each delivery of the Goods is accompanied by a delivery note which shows the date of the Order, the type and quantity of the Goods (including the catalogue number of the Goods, where applicable).

3.2 Subject to clause 3.3 the Supplier shall deliver the Goods to the location set out in the Order or such other location as the parties may agree (Delivery Location).

3.3 The Delivery Location shall be the premises of the Supplier if the Customer agrees to collect the Goods.

3.4 Delivery of the Goods shall be completed on the Goods' arrival at the Delivery Location or if clause 3.3 applies the collection of the Goods by the Customer from the Supplier's premises.

3.5 Any dates quoted for delivery are approximate only, and the time of delivery is not of the essence. The Supplier shall not be liable for any delay in delivery of the Goods that is caused by a Force Majeure event or the Customer's failure to provide the Supplier with adequate delivery instructions or any other instructions that are relevant to the supply of the Goods.

3.6 The Supplier shall have no liability for any failure to deliver the Goods to the extent that such failure is caused by a Force Majeure Event or the Customer's failure to provide the Supplier with adequate delivery instructions or any other instructions that are relevant to the supply of the Goods.

3.7 If the Customer fails to take delivery of the Goods within 3 Business Days of the Supplier notifying the Customer that the Goods are ready, then, except where such failure or delay is caused by a Force Majeure Event or the Supplier's failure to comply with its obligations under the Contract:

(a) Delivery of the Goods shall be deemed to have been completed at 9.00 am on the third Business Day following the day on which the Supplier notified the Customer that the Goods were ready; and

(b) the Supplier shall store the Goods until delivery takes place, and charge the Customer for all related costs and expenses (including insurance).

3.8 If 10 Business Days after the Supplier notified the Customer that the Goods were ready for delivery the Customer has not taken delivery of them, the Supplier may resell or otherwise dispose of part or all of the Goods and, after deducting reasonable storage and selling costs, account to the Customer for any excess over the price of the Goods or charge the Customer for any shortfall below the price of the Goods.

3.9 The Customer shall not be entitled to reject the Goods if the Supplier delivers up to and including 10% more or less than the quantity of Goods ordered.

3.10 The Supplier may deliver the Goods by instalments, which shall be invoiced and paid for separately. Each instalment shall constitute a separate Contract. Any delay in delivery or defect in an instalment shall not entitle the Customer to cancel any other instalment.

3.11 If the Customer has ordered Goods to be delivered by instalments the Supplier may invoice the Customer for any undelivered Goods after the expiry of 12 months from the date of the original Order.

4. QUALITY

4.1 The Supplier warrants that on delivery, and for a period of 12 months from the date of delivery (warranty period), the Goods shall:

(a) conform in all material respects with their description and any applicable Specification;

(b) be free from material defects in design, material and workmanship; and

(c) be of satisfactory quality (within the meaning of the Sale of Goods Act 1979).

4.2 Subject to clause 4.3, if:

(a) the Customer gives notice in writing to the Supplier during the warranty period within a reasonable time of discovery that some or all of the Goods do not comply with the warranty set out in clause 4.1; and

(b) the Supplier is given a reasonable opportunity of examining such Goods; and

(c) the Customer (if asked to do so by the Supplier) returns such Goods to the Supplier's

place of business at the Customer's cost, the Supplier shall, at its option, repair or replace the defective Goods, or refund the price of the defective Goods in full.

4.3 The Supplier shall not be liable for Goods: failed to comply with the warranty set out in clause 4.1 if:

(a) the Customer makes any further use of such Goods after giving notice in accordance with clause 4.2; or

(b) the defect arises because the Customer failed to follow the Supplier's oral or written instructions as to the storage, commissioning, installation, use and maintenance of the Goods or (if there are none) good trade practice; or

(c) the defect arises as a result of the Supplier following any drawing, design or specification supplied by the Customer; or

(d) the Customer alters or repairs such Goods without the written consent of the Supplier; or

(e) the defect arises as a result of fair wear and tear, wilful damage, negligence, or abnormal storage or working conditions.

4.4 Except as provided in this clause 4, the Supplier shall have no liability to the Customer in respect of the Goods' failure to comply with the warranty set out in clause 4.1.

4.5 Except as set out in these Conditions, all warranties, conditions and other terms implied by statute or common law are, to the fullest extent permitted by law, excluded from the Contract.

4.6 These Conditions shall apply to any repaired or replacement Goods supplied by the Supplier.

4.7 Any material supplied to the Supplier by a third party (Third Party Supplier) which forms part of the Goods product shall not be guaranteed to any greater extent than the guarantee given to the Supplier by the Third Party Supplier.

4.8 The Supplier warrants to keep the Tooling in repair and reserves the right to either appropriate or dispose of any Tooling which has not been used for a period of 4 years.

5. TITLE AND RISK

5.1 The risk in the Goods shall pass to the Customer on completion of delivery.

5.2 Title to the Goods shall not pass to the Customer until the Supplier has received payment in full (in cash or cleared funds) for:

(a) the Goods; and

(b) all other sums which are or which become due to the Supplier for sales of the Goods or any other products to the Customer.

5.3 Until title to the Goods has passed to the Customer, the Customer shall:

(a) hold the Goods on a fiduciary basis as the Supplier's bailee;

(b) store the Goods separately from all other goods held by the Customer so that they remain readily identifiable as the Supplier's property;

(c) not remove, deface or obscure any identifying mark or packaging on or relating to the Goods;

(d) maintain the Goods in satisfactory condition and keep them insured against all risks for their full price from the date of delivery;

(e) notify the Supplier immediately if it becomes subject to any of the events listed in clause 7.2; and

(f) give the Supplier such information relating to the Goods as the Supplier may require from time to time, but the Customer may resell or use the Goods in the ordinary course of its business.

5.4 If before title to the Goods passes to the Customer the Customer becomes subject to any of the events listed in clause 7.2, or the Supplier reasonably believes that any such event is about to happen and notifies the Customer accordingly, then, provided that the Goods have not been resold, or irrevocably incorporated into another product, and without limiting any other right or remedy the Supplier may have, the Supplier may at any time require the Customer to deliver up the Goods and, if the Customer fails to do so promptly, enter any premises of the Customer or of any third party where the Goods are stored in order to recover them.

5.5 Title to the Tooling and Printing Plates and Screens shall at no time pass to the Customer even if the Customer has paid any monies towards the Tooling and Printing Plates and Screens, and for the avoidance of doubt the Customer shall at no time have any interest in the Tooling and Printing Plates and Screens.

6. PRICE AND PAYMENT

6.1 The price of the Goods, Tooling and Printing Plates and Screens shall be the price set out in the acknowledgement of the Order by the Supplier.

6.2 The Supplier may, by giving notice to the Customer at any time before delivery, increase the price of the Goods to reflect any increase in the cost of the Goods that is due to:

(a) any factor beyond the Supplier's control (including foreign exchange fluctuations, increases in taxes and duties, and increases in labour, materials and other manufacturing costs);

(b) any request by the Customer to change the delivery date(s), quantities or types of Goods ordered, or the Specification; or

(c) any delay caused by any instructions of the Customer or failure of the Customer to give the Supplier adequate or accurate information or instructions.

6.3 Once accepted Orders cannot be cancelled without the written consent of the Supplier and only then upon such terms as directed by the Supplier. The Customer will indemnify the Supplier against all losses incurred as a result of a cancellation of an Order by the Customer.

6.4 The minimum charge for a single Order is £250.

6.5 The price of the Goods is exclusive of the costs and charges of packaging, insurance and transport of the Goods, which shall be paid by the Customer when it pays for the Goods.

6.6 The price of the Goods, Tooling and Printing Plates and Screens is exclusive of amounts in respect of value added tax (VAT) and taxation. The Customer shall, on receipt of a valid VAT invoice from the Supplier, pay to the Supplier such additional amounts in respect of VAT and Taxation as are chargeable on the supply of the Goods.

6.7 The Supplier may invoice the Customer for the Goods on or at any time after the completion of delivery.

6.8 The Supplier may invoice the Customer for the Tooling and Printing Plates and Screens at any time after the Order.

6.9 The Customer shall pay the invoice in full and in cleared funds within 20 Business Days of the date of the invoice. Payment shall be made to the bank account nominated in writing by the Supplier or by such other method as agreed by the Supplier. Time of payment is of the essence.

6.10 If the Customer fails to make any payment due to the Supplier under the Contract by the due date for payment (due date), then the Customer shall pay interest on the overdue amount at the rate of 4% per annum above HSBC Bank plc's base lending rate from time to time. Such interest shall accrue on a daily basis from the due date until the date of actual payment of the overdue amount, whether before or after judgment. The Customer shall pay the interest together with the overdue amount.

6.11 The Customer shall pay all amounts due under the Contract in full without any deduction or withholding except as required by law and the Customer shall not be entitled to assert any credit, set-off or counterclaim against the Supplier in order to justify withholding payment of any such amount in whole or in part. The Supplier may at any time, without limiting any other rights or remedies it may have, set off any amount owing to it by the Customer against any amount payable by the Supplier to the Customer.

7. CUSTOMER'S INSOLVENCY OR INCAPACITY

7.1 If the Customer becomes subject to any of the events listed in clause 7.2, or the Supplier reasonably believes that the Customer is about to become subject to any of them and notifies the Customer accordingly, then, without limiting any other right or remedy available to the Supplier, the Supplier may cancel or suspend all further deliveries under the Contract or under any other contract between the Customer and the Supplier without incurring any liability to the Customer, and all outstanding sums in respect of Goods delivered to the Customer shall become immediately due.

7.2 For the purposes of clause 7.1, the relevant events are:

(a) the Customer suspends, or threatens to suspend, payment of its debts or is unable to pay its debts as they fall due or admits inability to pay its debts or (being a company) is deemed unable to pay its debts within the meaning of section 123 of the Insolvency Act 1986, or (being an individual) is deemed either unable to pay its debts or as having no reasonable prospect of doing so, in either case, within the meaning of section 268 of the Insolvency Act 1986, or (being a partnership) has any partner to whom any of the foregoing apply; or

(b) the Customer commences negotiations with all or any class of its creditors with a view

to rescheduling any of its debts, or makes a proposal for or enters into any compromise or arrangement with its creditors; or

(c) (being an individual) the Customer is the subject of a bankruptcy petition or order; or

(d) a creditor or encumbrancer of the Customer attaches or takes possession of, or a distress, execution, sequestration or other such process is levied or enforced on or sued against, the whole or any part of its assets and such attachment or process is not discharged within 14 days; or

(e) (being a company) an application is made to court, or an order is made, for the appointment of an administrator or if a notice of intention to appoint an administrator is given or an administrator is appointed over the Customer; or

(f) (being a company) a floating charge holder over the assets of the Customer has become entitled to appoint or has appointed an administrative receiver; or

(g) a person becomes entitled to appoint a receiver over the assets of the Customer or a receiver is appointed over the assets of the Customer; or

(h) any event occurs, or proceeding is taken, with respect to the Customer in any jurisdiction to which it is subject that has an effect equivalent or similar to any of the events mentioned in clause 7.2(a) to clause 7.2(g) (inclusive); or

(i) the Customer suspends, threatens to suspend, ceases or threatens to cease to carry on all or substantially the whole of its business; or

(j) the financial position of the Supplier deteriorates to such an extent that in the opinion of the Customer the capability of the Seller adequately to fulfil its obligations under the Contract has been placed in jeopardy.

(k) (being an individual) the Customer dies or, by reason of illness or incapacity (whether mental or physical), is incapable of managing his or her own affairs or becomes a patient under any mental health legislation.

8. LIMITATION OF LIABILITY

8.1 Nothing in these Conditions shall limit or exclude the Supplier's liability for:

(a) death or personal injury caused by its negligence, or the negligence of its employees, agents or subcontractors (as applicable);

(b) fraud or fraudulent misrepresentation; or

(c) breach of the terms implied by section 12 of the Sale of Goods Act 1979; or

(d) defective products under the Consumer Protection Act 1987.

8.2 Subject to clause 8.1:

(a) the Supplier shall not be liable to the Customer, whether in contract, tort (including negligence), breach of statutory duty, or otherwise, for any loss of profit or indirect or consequential loss arising under or in connection with the Contract; and

(b) the Supplier's total liability to the Customer in respect of all other losses arising under or in connection with the Contract, whether in contract, tort (including negligence), breach of statutory duty, or otherwise, shall not exceed the price of the Goods.

8.3 The Supplier shall be indemnified by the Customer against all claims in respect of any loss, injury or damage sustained by a third party, however caused, as a result of the supply of Goods to the Customer's specification and design. The Customer shall also indemnify the Supplier against all claims made on the Supplier by third parties in respect of any Intellectual Property Rights which they may have when Goods have been supplied which are to the Customer's specification and design.

9. FORCE MAJEURE

Neither party shall be liable for any failure or delay in performing its obligations under the Contract to the extent that such failure or delay is caused by a Force Majeure Event. A Force Majeure Event means any event beyond a party's reasonable control, which by its nature could not have been foreseen, or, if it could have been foreseen, was unavoidable, including strikes, lock-outs or other industrial disputes (whether involving its own workforce or a third party), failure of energy sources or transport network, acts of God, war, terrorism, riot, civil commotion, interference by civil or military authorities, national or international calamity, armed conflict, malicious damage, breakdown of plant or machinery, nuclear, chemical or biological contamination, sonic boom, explosions, collapse of building structures, fires, floods, storms, earthquakes, loss at sea, epidemics or similar events, natural disasters or extreme adverse weather conditions, or default of suppliers or subcontractors.

10. CONFIDENTIAL INFORMATION

The Customer shall keep in strict confidence all technical or commercial know-how, specifications, inventions, processes or initiatives which are disclosed to the Customer, its employees, agents or subcontractors, and any other confidential information concerning the Supplier's business, its products or its services which the receiving party may obtain. The Customer shall only disclose such confidential information to those of its employees, agents or subcontractors who need to know the same for the purpose of discharging the Customer's obligations under the Contract, and shall ensure that such employees, agents or subcontractors shall keep such information confidential.

11. INTELLECTUAL PROPERTY RIGHTS

The Customer shall not possess, represent, warrant or undertake that it has any rights in or title to the Intellectual Property Rights relating to the Goods, Tooling and Printing Plates and Screens and the Customer represents, warrants and undertakes that it shall not, whether by act or omission, allow the rights of the Supplier to be impaired with regard to the Intellectual Property Rights in relation to the Goods (or otherwise howsoever).

12. GENERAL

12.1 Assignment and subcontracting.

(a) The Supplier may at any time assign, transfer, charge, subcontract or deal in any other manner with all or any of its rights or obligations under the Contract.

(b) The Customer may not assign, transfer, charge, subcontract or deal in any other manner with all or any of its rights or obligations under the Contract without the prior written consent of the Supplier.

12.2 Notices.

(a) Any notice or other communication given to a party under or in connection with the Contract shall be in writing, addressed to that party at its registered office (if it is a company) or its principal place of business (in any other case) or such other address as that party may have specified to the other party in writing in accordance with this clause, and shall be delivered personally, sent by pre-paid first-class post, recorded delivery, commercial courier, fax or e-mail.

(b) A notice or other communication shall be deemed to have been received: if delivered personally, when left at the address referred to in clause 12.2(a); if sent by pre-paid first-class post or recorded delivery, at 9.00 am on the second Business Day after posting; if delivered by commercial courier, on the date and at the time that the courier's delivery receipt is signed; or, if sent by fax or e-mail, one Business Day after transmission.

(c) The provisions of this clause shall not apply to the service of any proceedings or other documents in any legal action.

12.3 Severance.

(a) If any court or competent authority finds that any provision of the Contract (or part of any provision) is invalid, illegal or unenforceable, that provision or part-provision shall, to the extent required, be deemed to be deleted, and the validity and enforceability of the other provisions of the Contract shall not be affected.

(b) If any invalid, unenforceable or illegal provision of the Contract would be valid, enforceable and legal if some part of it were deleted, the provision shall apply with the minimum modification necessary to make it legal, valid and enforceable.

12.4 Waiver. A waiver of any right or remedy under the Contract is only effective if given in writing and shall not be deemed a waiver of any subsequent breach or default. No failure or delay by a party to exercise any right or remedy provided under the Contract or by law shall constitute a waiver of that or any other right or remedy, nor shall it preclude or restrict the further exercise of that or any other right or remedy. No single or partial exercise of such right or remedy shall preclude or restrict the further exercise of that or any other right or remedy.

12.5 Third party rights. A person who is not a party to the Contract shall not have any rights under or in connection with it.

12.6 Any variation to the Contract, including the introduction of any additional terms and conditions, shall only be binding when agreed in writing and signed by the Supplier.

12.7 Governing law and jurisdiction. The Contract, and any dispute or claim arising out of or in connection with it or its subject matter or formation (including non-contractual disputes or claims), shall be governed by, and construed in accordance with, English law, and the parties irrevocably submit to the exclusive jurisdiction of the courts of England and Wales.